



SR-8200 Cinema Surround Loudspeaker

Features

- High Performance in a small package
- Directivity Matched Transition™ provides balanced sound between woofer and horn
- 8" (200mm) woofer with 2" (50mm) voice coil
- 1.4" (35mm) titanium diaphragm compression driver
- Pre-installed mounting hardware for fast, easy and secure installation
- High-power handling capability meets the demands of D-Cinema soundtrack reproduction



Developed specifically for the unique requirements of professional motion picture playback in smaller cinemas, QSC extends its commitment to the cinema market with the SR-8200 Cinema Surround Loudspeaker. As a member of QSC's DCS (Digital Cinema Speaker) Series, the SR-8200 offers high-power handling, excellent sensitivity, and extended bass response in a very compact enclosure.

The SR-8200 Cinema Surround Loudspeaker features a high-power, long-throw 8" low-frequency transducer coupled with a 1.4" titanium diaphragm compression driver. The system's MDF enclosure features a 15° down angle baffle and easily accessible terminals on the top of the enclosure. The 200 watt continuous power rating and sophisticated crossover with protection circuitry provides absolute reliability.

The uniform power-response of this loudspeaker is a result of DMT™ (Directivity Matched Transition), a design approach that matches LF and HF coverage in the crossover region. Another key to the extraordinary accuracy and flat power response of the SR-8200 is the axisymmetric waveguide which provides uncompromised performance in both the vertical and horizontal axes.

The compact black enclosure with black grille blends into any theatre decor. Pre-installed speaker-side hardware allows fast single-installer mounting, and brackets support down-angles of either 15° (standard) or 23° (optional). A traditional U-bracket (YM-46) is also available. The SR-8200 is shipped in pairs to reduce shipping costs.

SR-8200 Details

System Hardware	SR-8200
Frequency Range (-10dB) ¹	52 Hz to 20 kHz
Rated Noise Power (Voltage) ²	200 W continuous (40 V rms)
Sensitivity ³	94 dB, 1W@1m
Rated Coverage Angle (-6 dB)	90° Axisymmetric
Maximum Rated SPL ⁴	117 dB @ 1m, continuous 123 dB @ 1m, peak
Rated Impedance	8Ω
Recommended Amplifier Power	400 Watts
HF Transducer	1.4" (35 mm) titanium diaphragm compression driver
LF Transducer	8" (200 mm) long throw low-frequency transducer with 2" (50mm) voice coil
Enclosure Details	
Input Connector	4-position barrier strip, accepts up to #10 AWG stranded wire
Enclosure Material	MDF
Grille	Black Cloth
Environmental	
Dimensions (HxWxD)	19.5" x 14.3" x 9.6" (495 mm x 363 mm x 244 mm)
Net Weight	24.6 lb (11.1 kg)
Shipping Weight (pairs)	57.7 lb (26.1 kg)
Included Accessories	Pre-installed brackets
Optional Accessories	QM-SW, QM-BW, YM-46

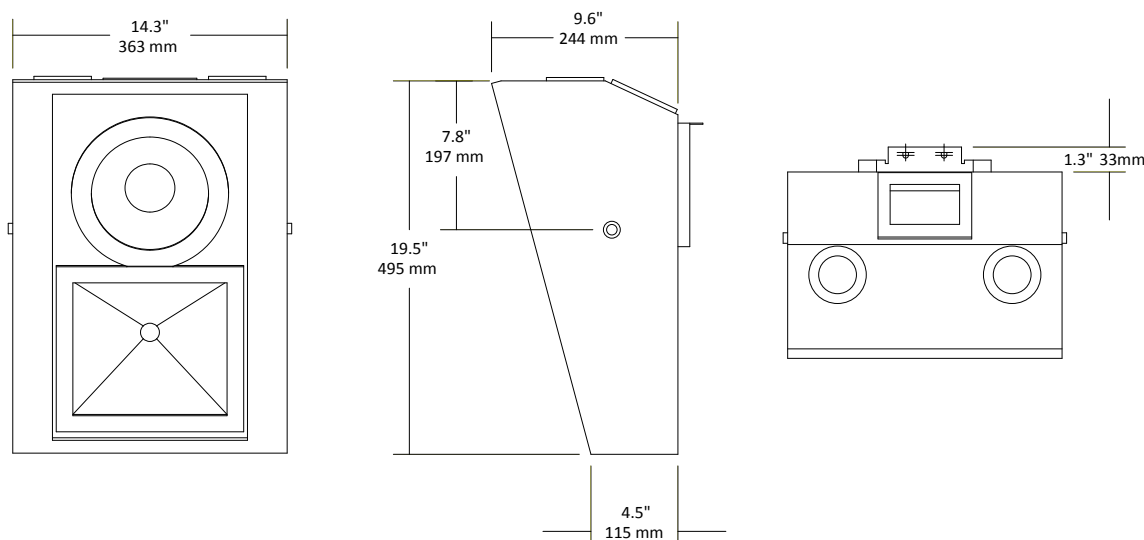
As part of QSC's ongoing commitment to product development, specifications are subject to change without notice.

¹ Free-field, -10 dB from on-axis sensitivity

² IEC60268-1 noise signal for 2 Hrs

³ On-Axis, free-field sensitivity, 2.83V, 1 m

⁴ Calculated from rated noise voltage and sensitivity



Specifications subject to change without notice.

QSC™

1675 MacArthur Boulevard • Costa Mesa, CA 92626 • Ph: 800/854-4079 or 714/957-7100 • Fax: 714/754-6174



please recycle

© 2013 QSC Audio Products, LLC. All rights reserved. QSC and the QSC logo are registered trademarks of QSC Audio Products, LLC in the U.S. Patent and Trademark office and other countries. DMT is a trademark of QSC.