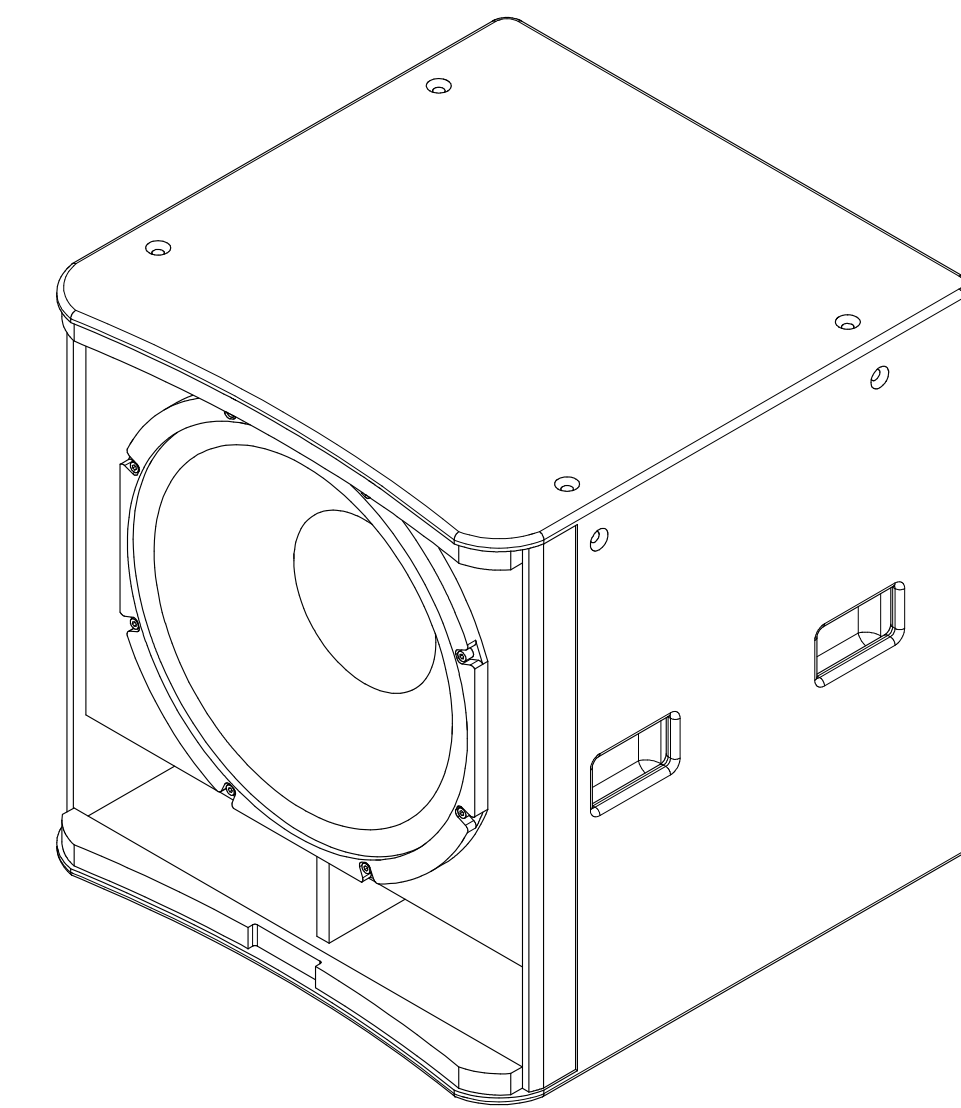
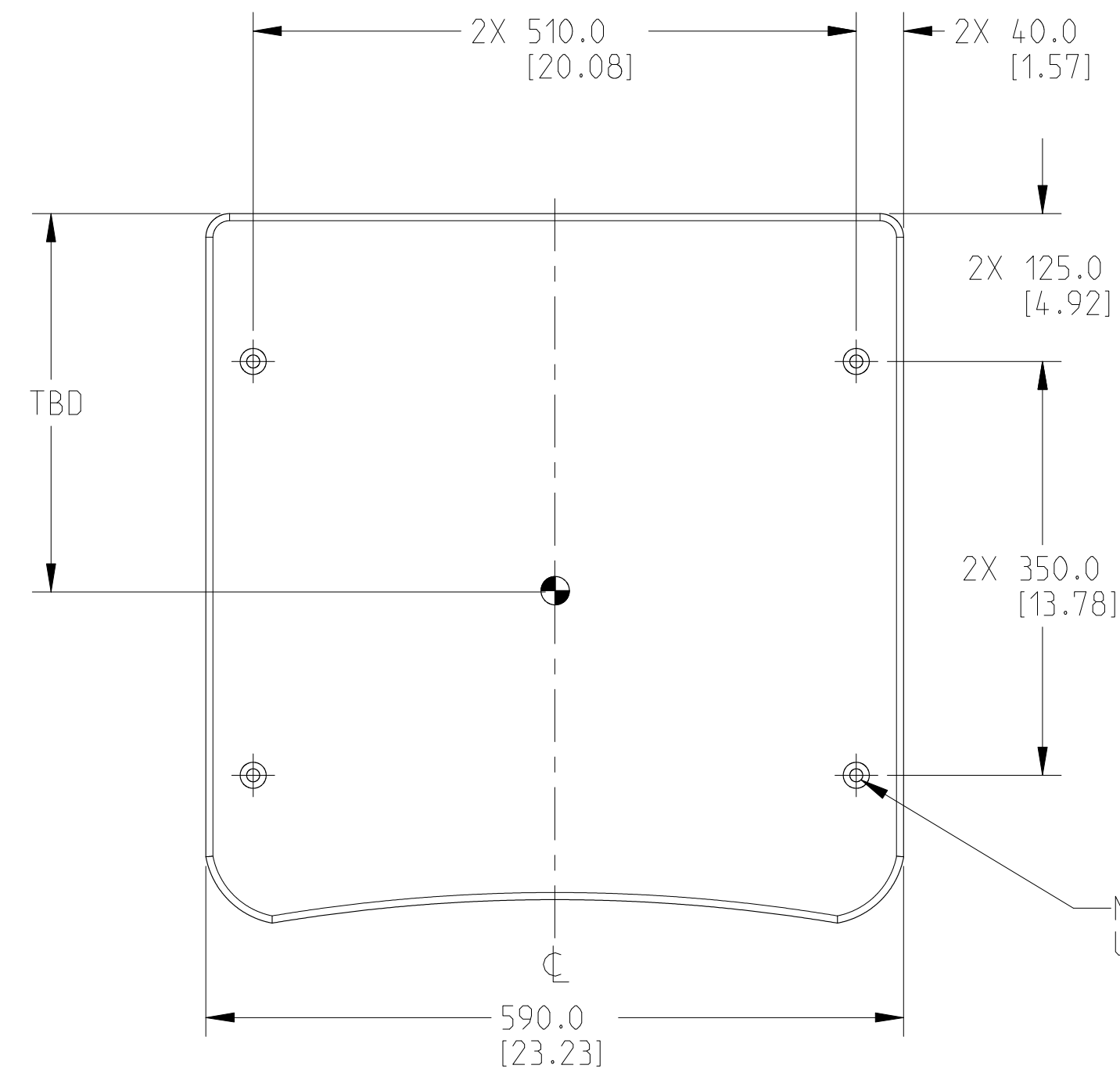
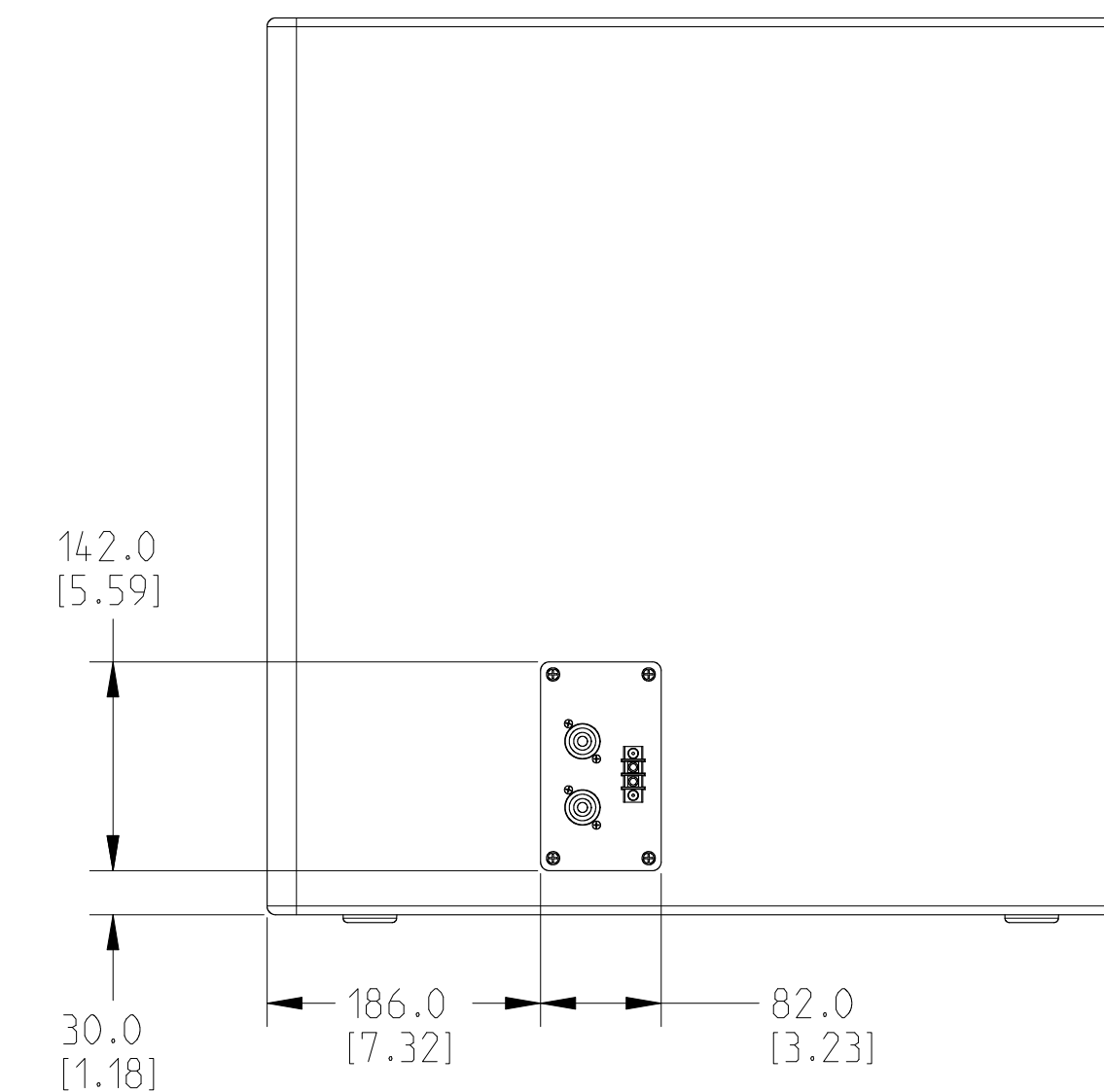
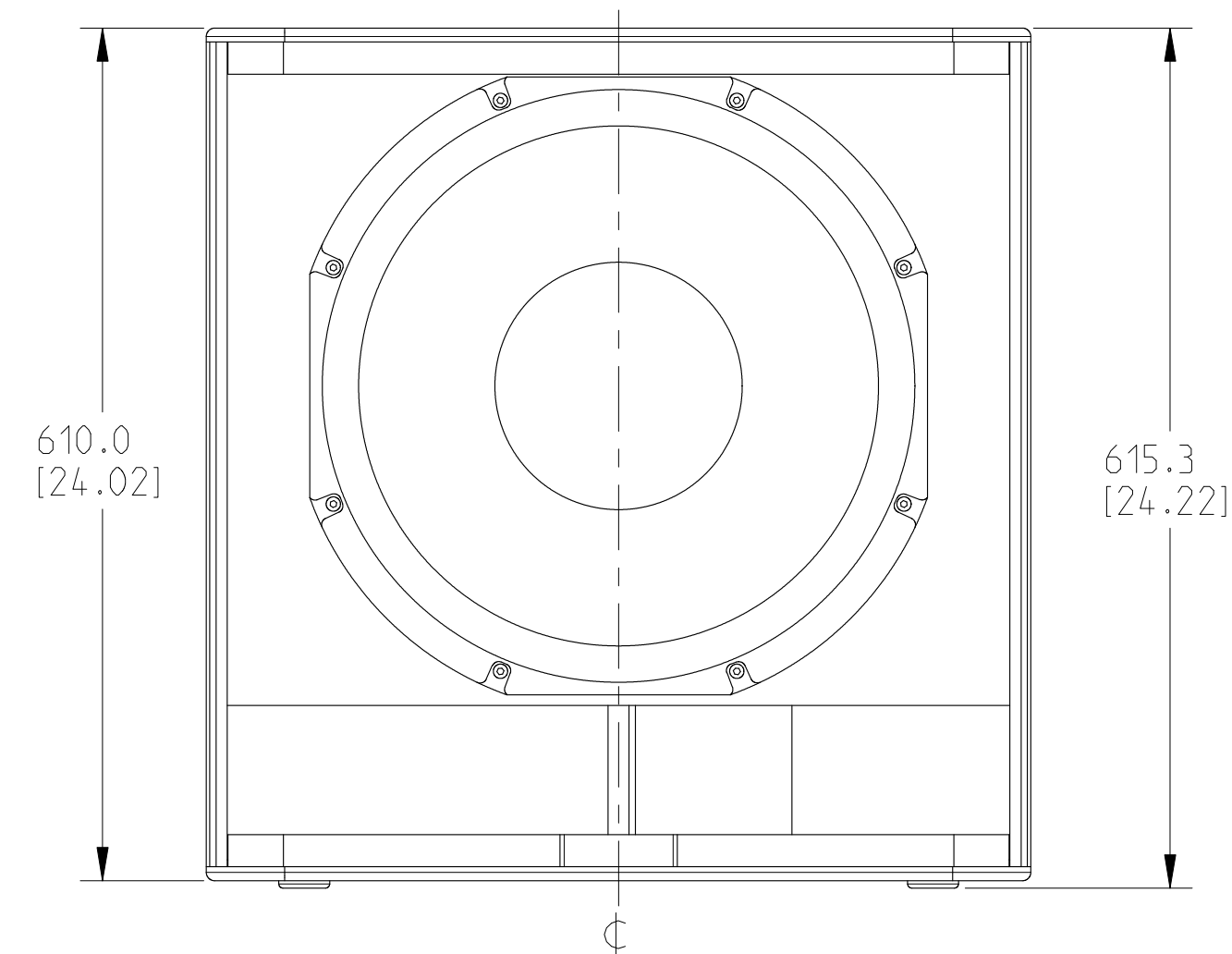
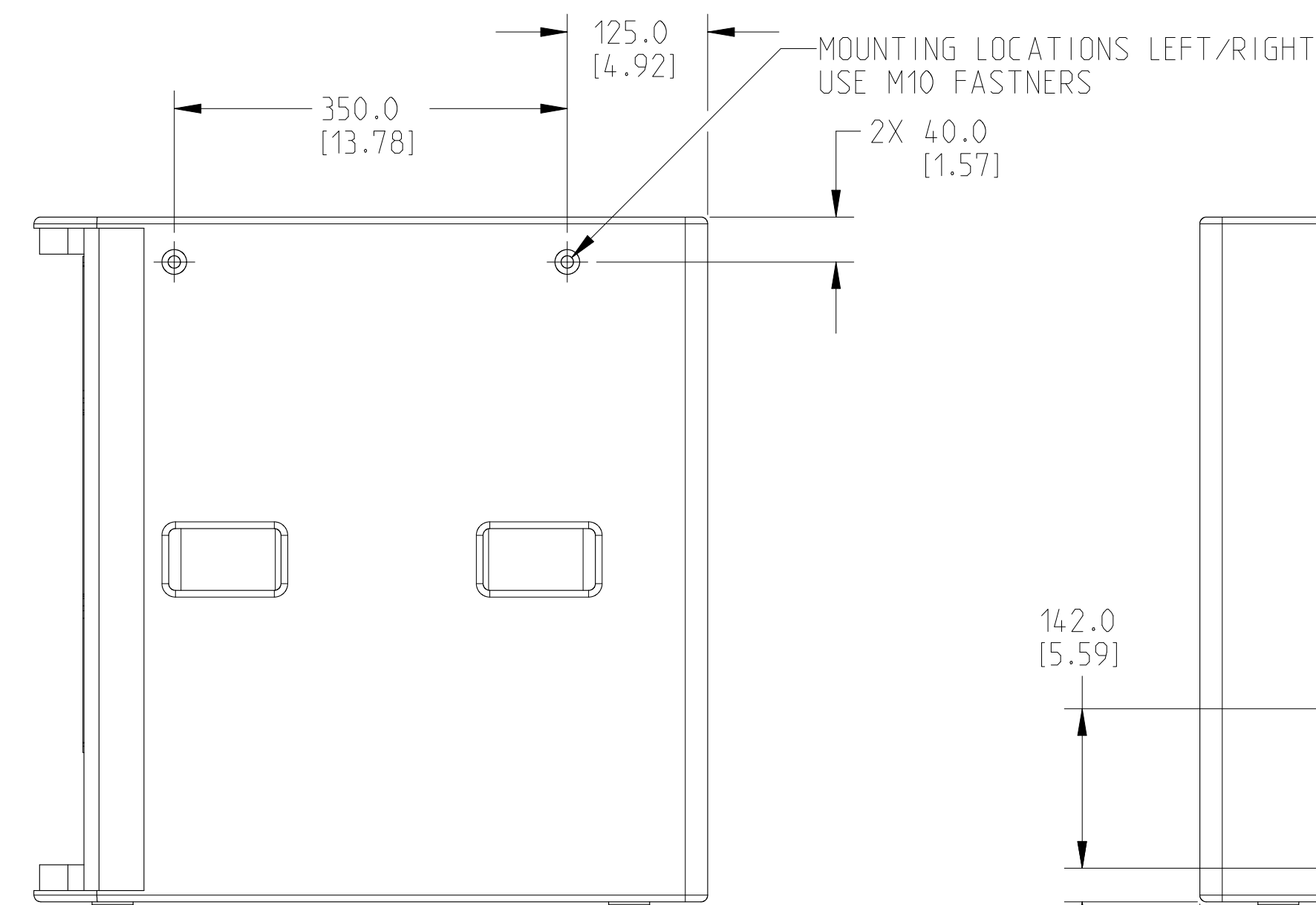
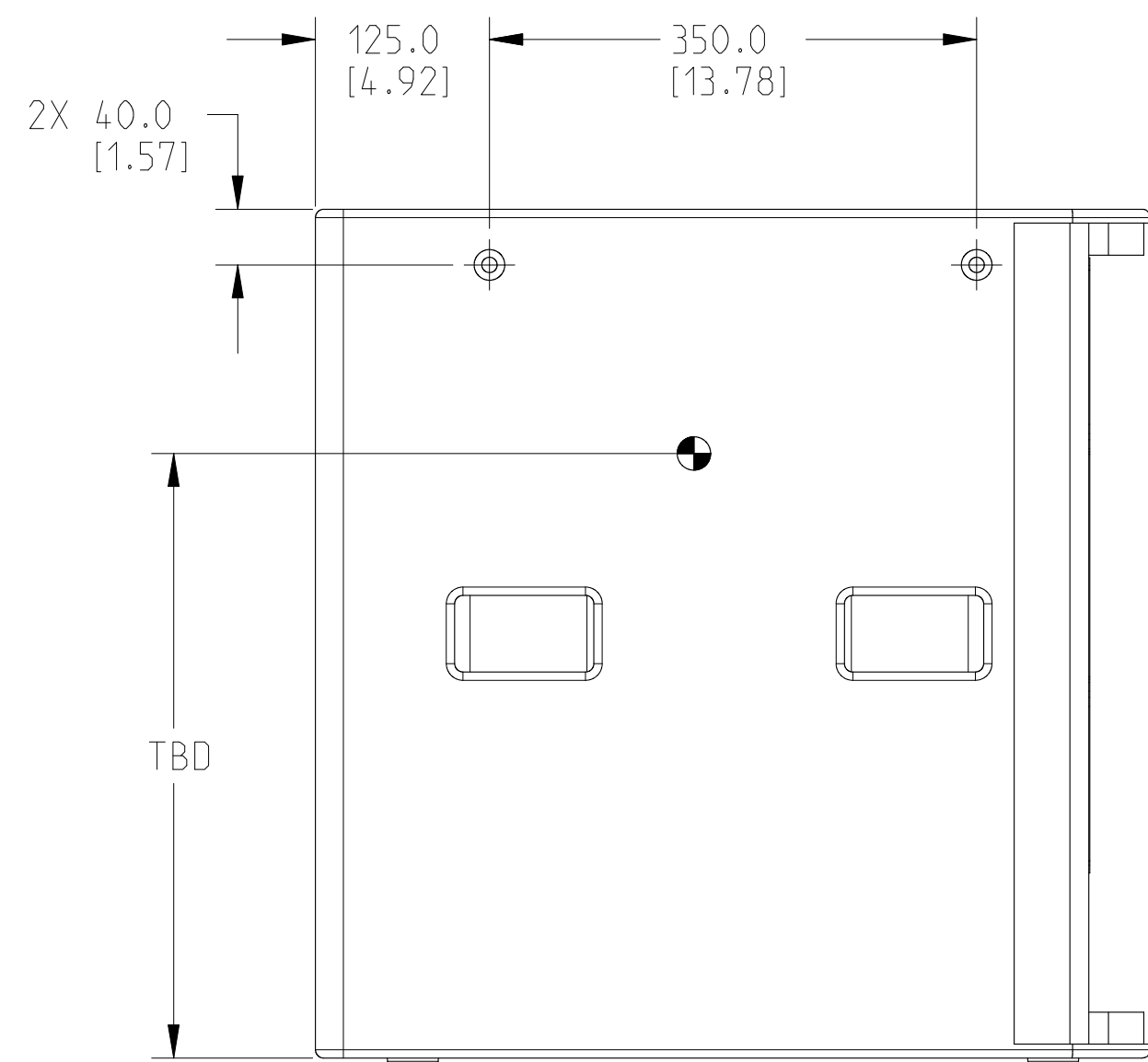


THIS DOCUMENT CONTAINS PROPRIETARY INFORMATION WHICH IS THE PROPERTY OF QSC, LLC. THAT MAY NOT BE DISCLOSED, REPRODUCED OR USED WITHOUT EXPRESS WRITTEN CONSENT FROM QSC, LLC.

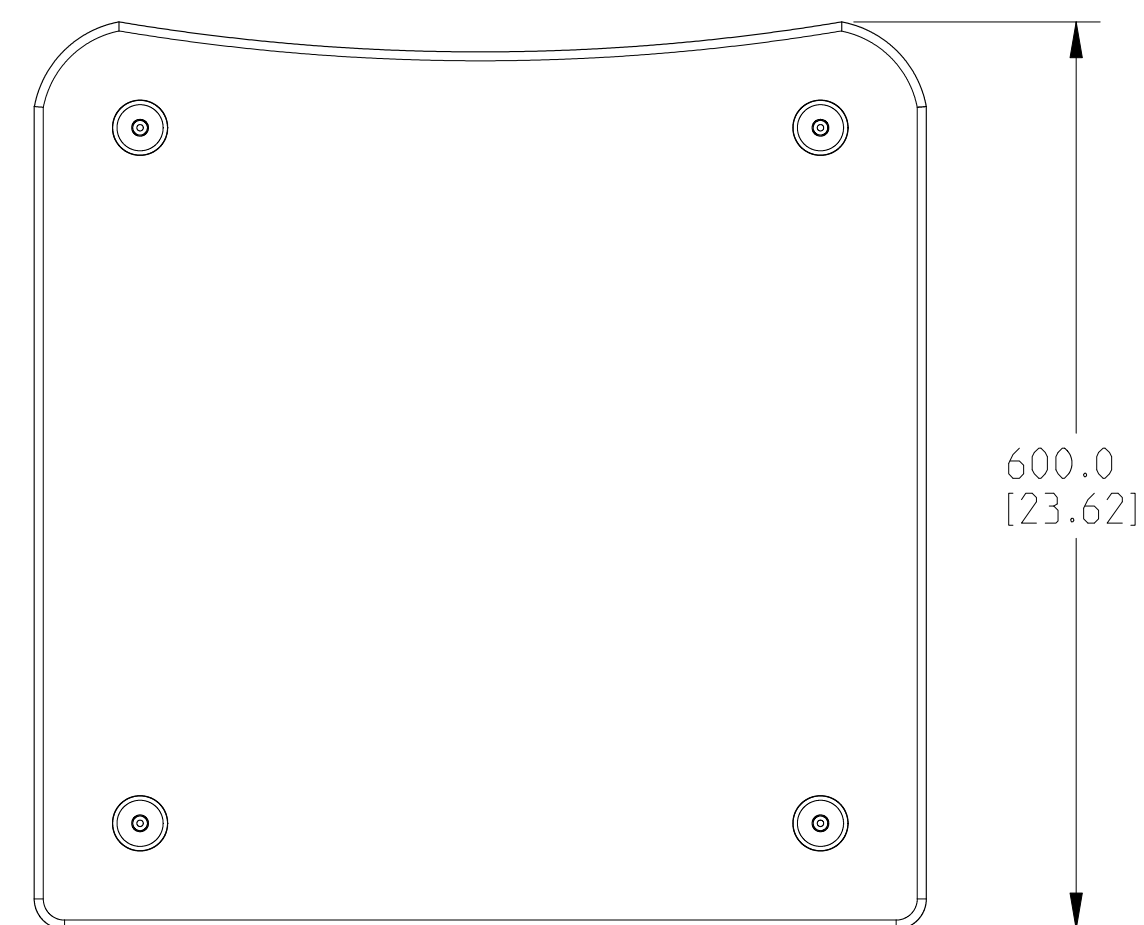
REVISIONS			
REV	DESCRIPTION	BY	DATE
A	RELEASE FOR SALES AND MARKETING	ES	28-DEC-17



SCALE 0.150



REAR VIEW



5. PARTS ARE SYMMETRICAL ABOUT CENTER LINES UNLESS OTHERWISE NOTED.
4. SYMBOL ● INDICATES CENTER OF BALANCE.
3. SYMBOL ⊙ INDICATES SUSPENSION POINT, 8 TOTAL: M10-1.5 THD.
4. GRILLE NOT SHOWN FOR CLARITY.
3. DIMENSIONS ARE IN MILLIMETERS [INCH].
2. TOLERANCES (MM): X ± 3, ANGLES: ± 1°.
1. NET WEIGHT APPROX. 43 KG (95 LBS)

NOTE: UNLESS OTHERWISE SPECIFIED

UNLESS OTHERWISE SPECIFIED DIMENSIONS IN MILLIMETERS (IN) TOLERANCES ARE: DECIMALS .X±.5(.02) .XX±.25(.010) ± 1/2 ANGLES DEBURR EDGES .25 (.010) R MAX	DESIGNER	QSC, LLC 1675 MACARTHUR BOULEVARD COSTA MESA, CA 92626	LOUDSPEAKER, DCS-SB-118F, 1X18 C IN SUB	SIZE D CAGE CODE 00PW4 DRAWING NO. FG-901256-2D SCALE: 0.200 DO NOT SCALE DRAWING SHEET 1 OF 1
	ENGINEER			
	TECHNICAL DIRECTOR			
	MANUFACTURING ENGINEER			
MATERIAL	DRAWING INFO: FG-901256-2D.A.5 MODEL INFO: FG-901256-3D.A.5	REV A		