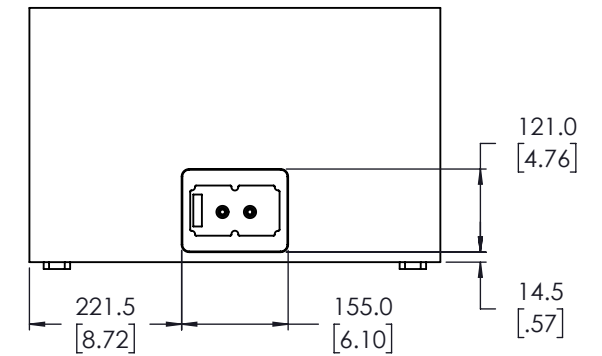
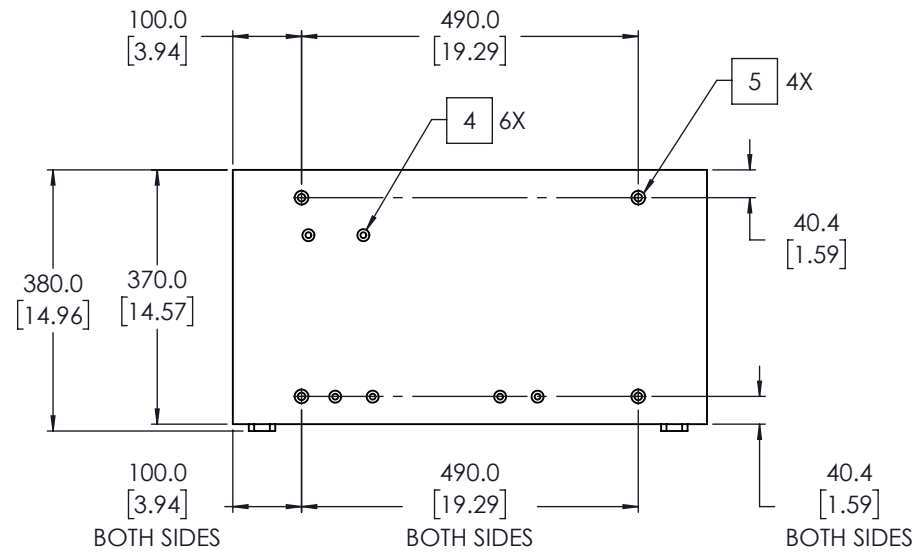
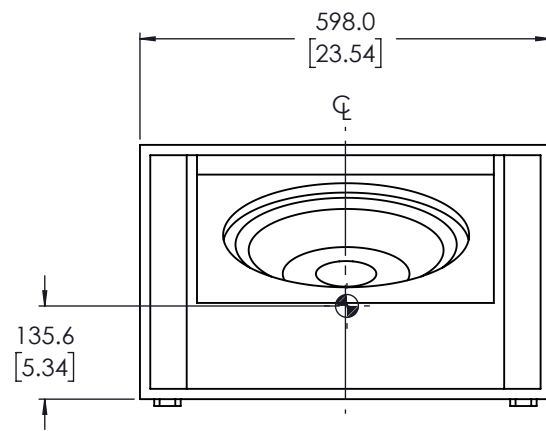
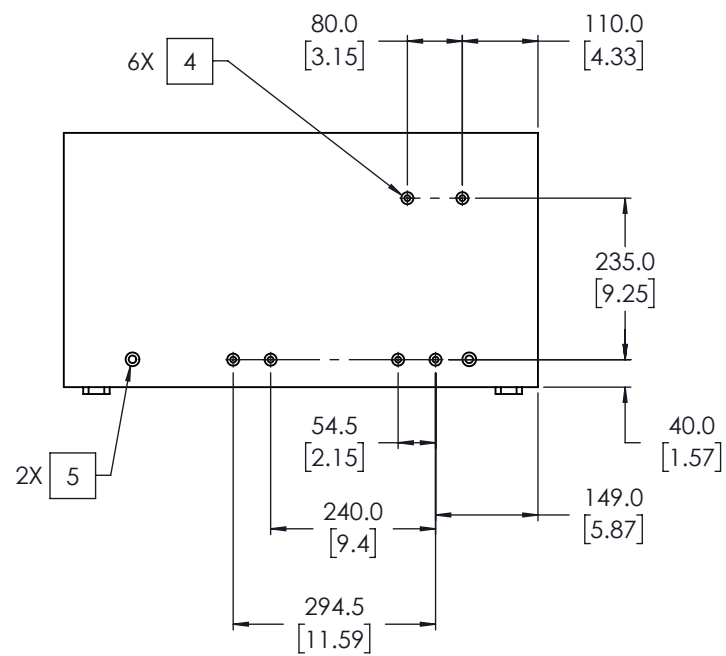
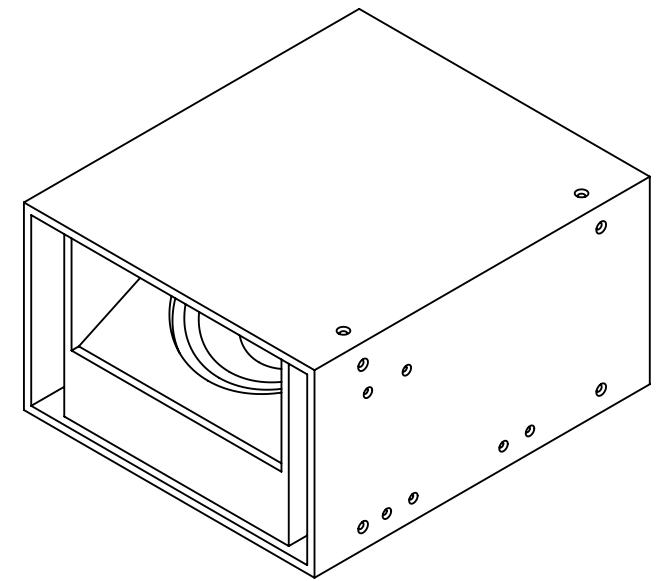
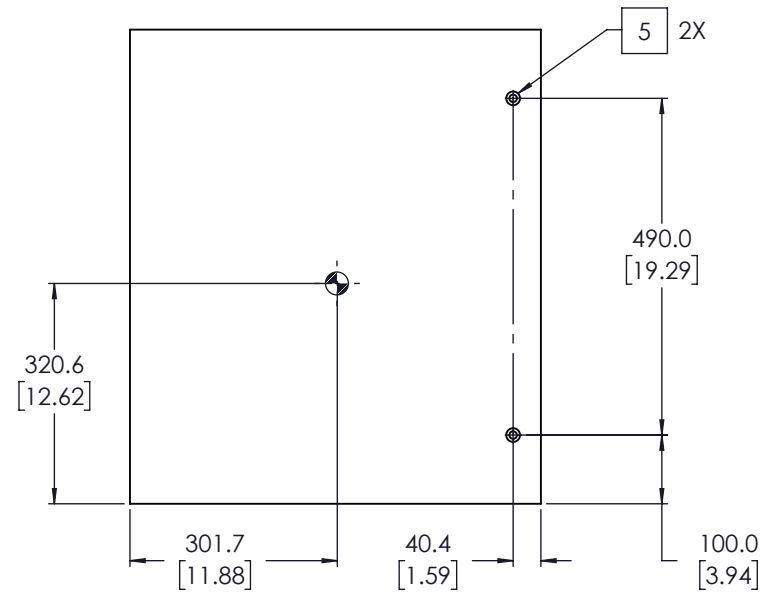


NOTES: UNLESS OTHERWISE SPECIFIED

1. NET WEIGHT APPROX. 38.0 KG [83.7 LBS].
2. PARTS ARE SYMMETRICAL ABOUT CENTER LINES UNLESS OTHERWISE NOTED.
3. SYMBOL \oplus INDICATES CENTER OF GRAVITY.
4. SYMBOL \odot INDICATES SUSPENSION POINT.
- 12 TOTAL: M8-1.25 THD
5. SYMBOL \odot INDICATES SUSPENSION POINT.
- 12 TOTAL: M10-1.5 THD
6. GRILLE NOT SHOWN FOR CLARITY.



DIMENSIONS TYP
BOTH SIDES

