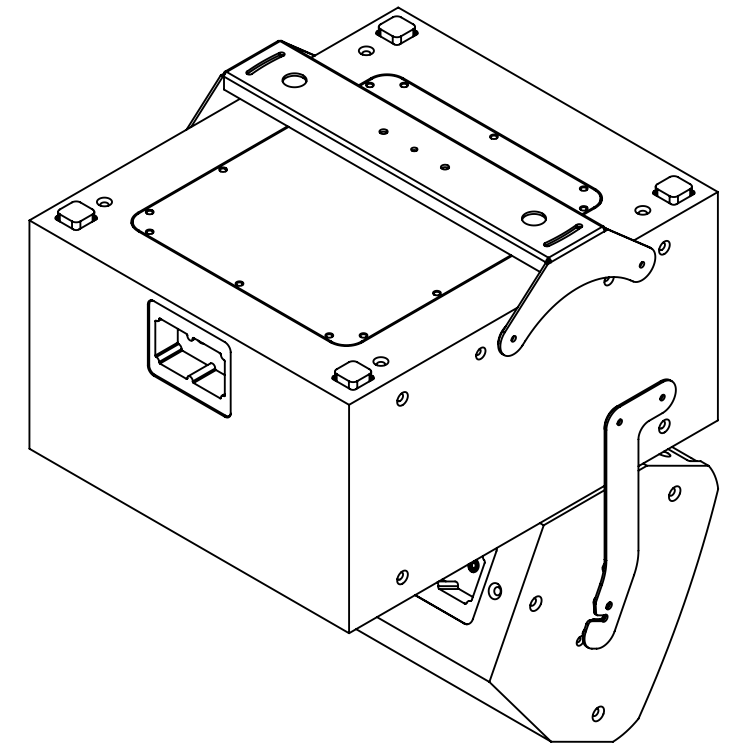
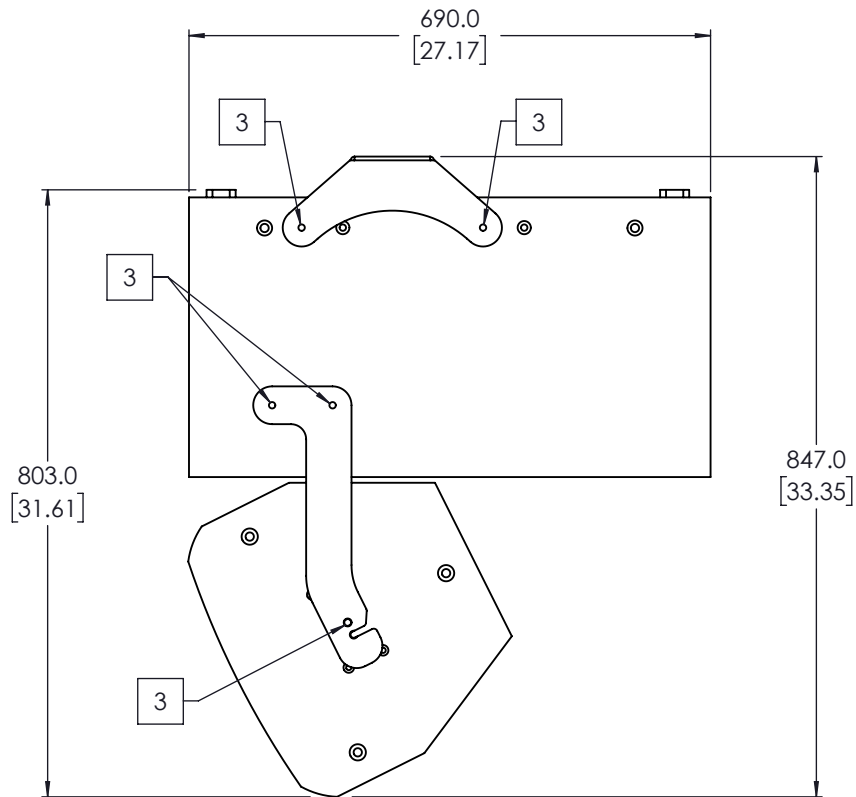
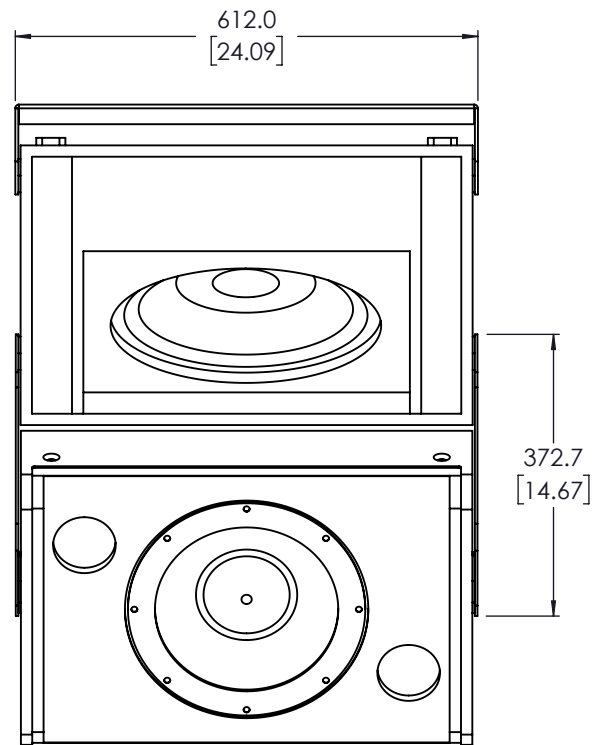
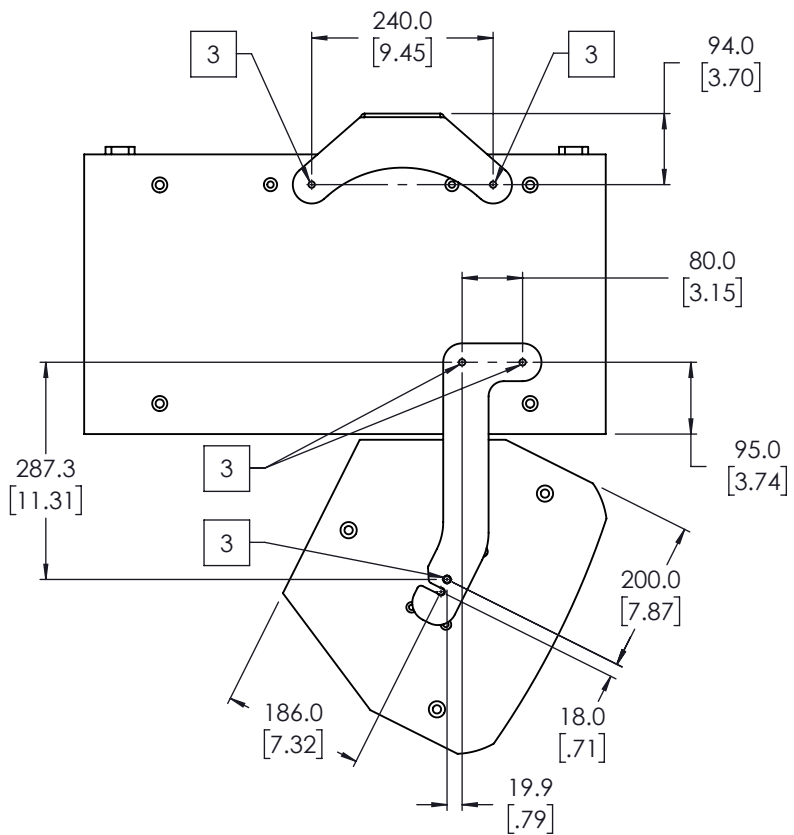
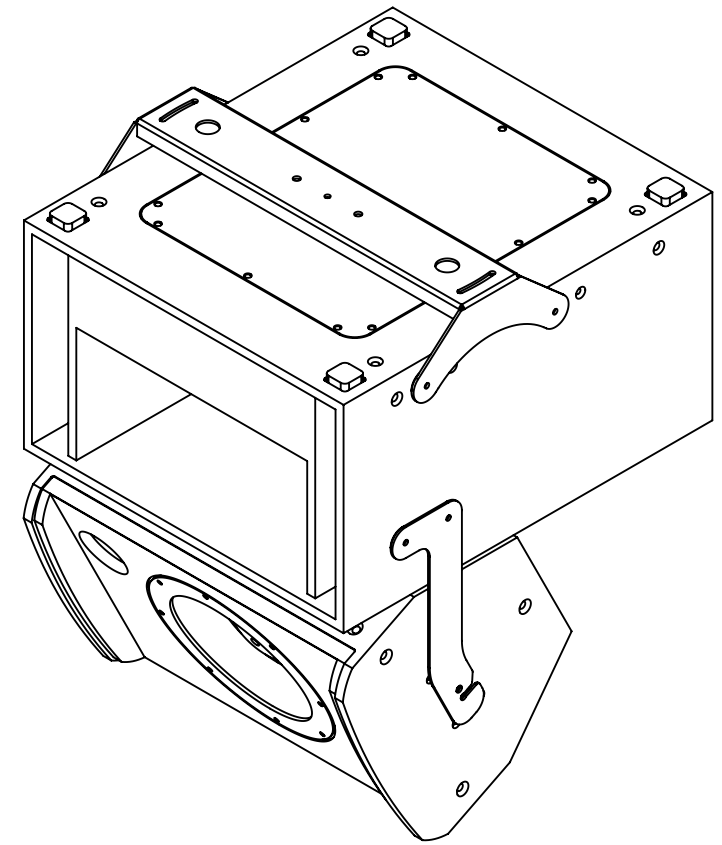
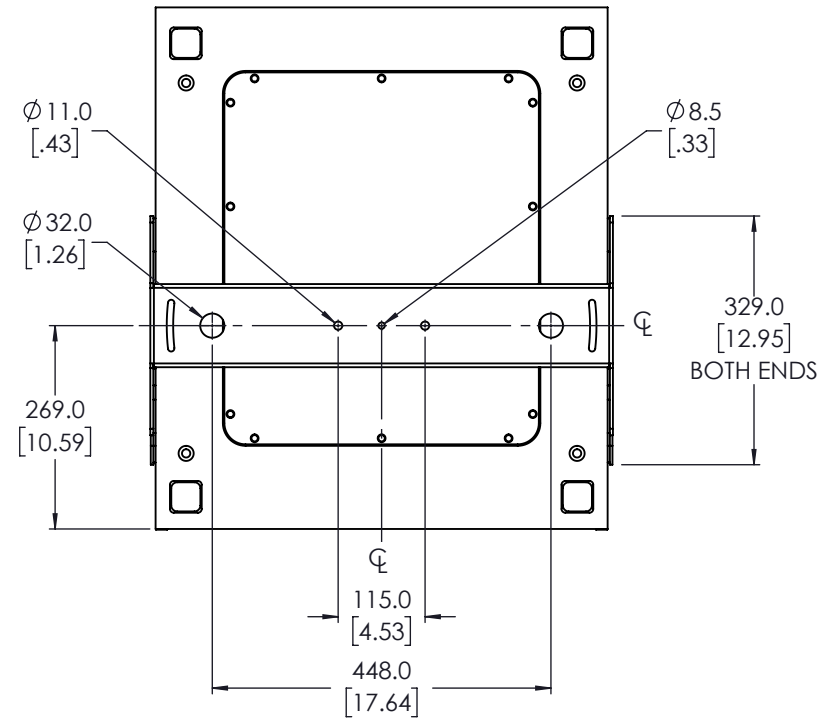


NOTES: UNLESS OTHERWISE SPECIFIED

1. NET WEIGHT APPROX. 5.2 KG [11.4 LBS] (YOKE AND BRACKETS),
63.8 KG [140.7 LBS] (SPEAKER, SUBWOOFER, YOKE AND BRACKETS).
2. THE SPEAKER AND SUBWOOFER ARE SHOWN FOR CLARITY, SPEAKER, SUBWOOFER AND MOUNTING YOKE ARE SOLD SEPARATLY.
3. YOKE MOUNT ATTACHMENT POINT, M8 THREAD, 10 PLACES.
4. PARTS ARE SYMMETRICAL ABOUT CENTER LINES UNLESS OTHERWISE NOTED.



DIMENSIONS TYP BOTH SIDES