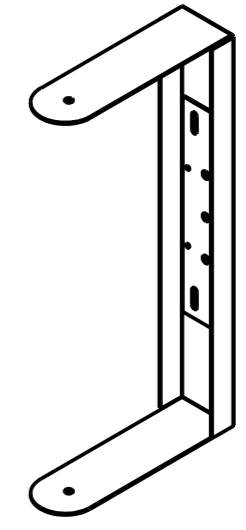
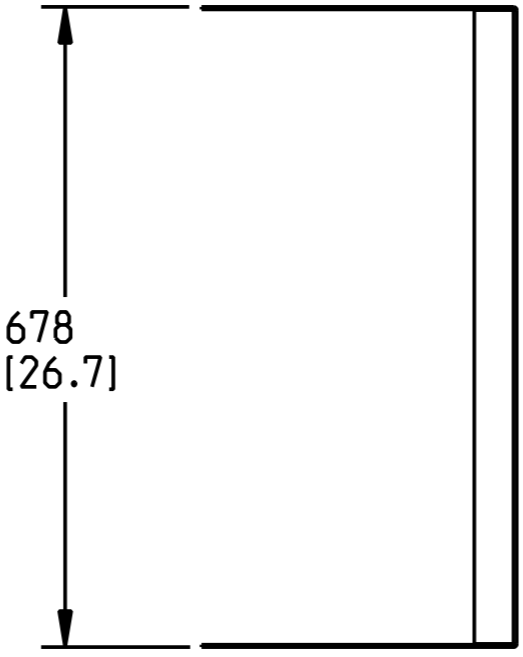
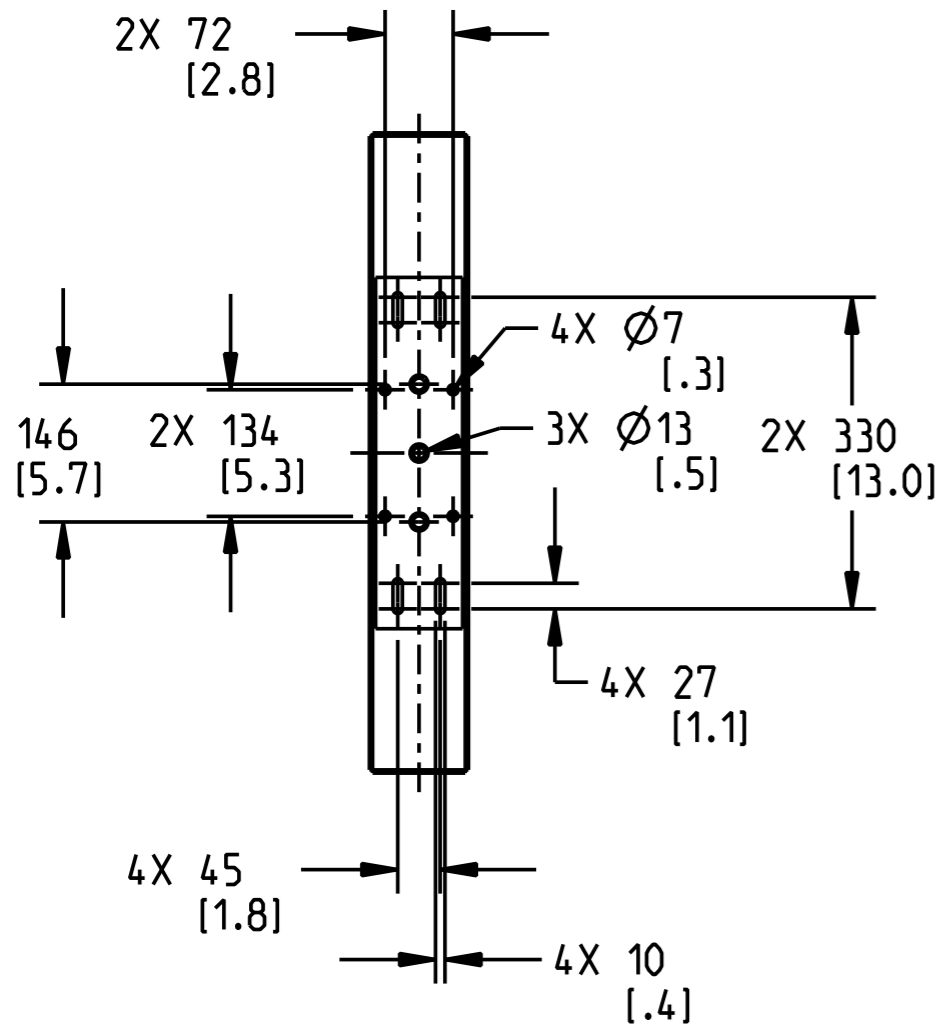


THIS DOCUMENT CONTAINS PROPRIETARY INFORMATION WHICH IS THE PROPERTY OF QSC AUDIO PRODUCTS. THAT MAY NOT BE DISCLOSED, REPRODUCED OR USED WITHOUT EXPRESS WRITTEN CONSENT FROM QSC AUDIO PRODUCTS.

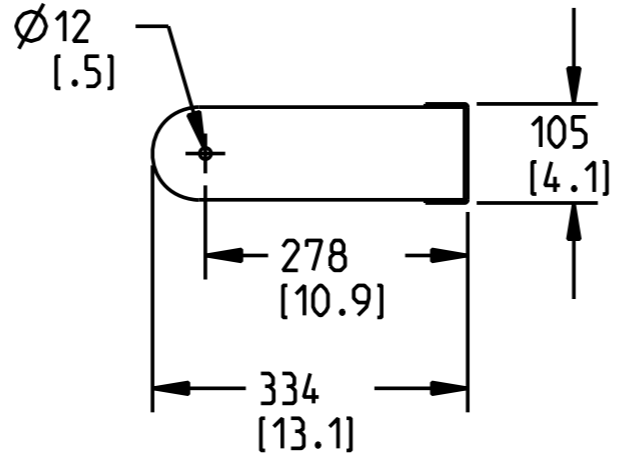
| REVISIONS | | | | | |
|-----------|-----|-------------|----|-----------|--------|
| REV | ECO | DESCRIPTION | BY | EFF DATE | ISSUED |
| A | - | RELEASE | JD | 19-NOV-12 | - |

D

D



SCALE 0.094



C

C

B

B

A

A

- 4. PARTS ARE SYMMETRICAL ABOUT CENTER LINES UNLESS OTHERWISE NOTED.
 - 3. SYMBOL \odot INDICATES SUSPENSION POINT.
 - 2. TOLERANCES (MM): X \pm 3, ANGLES: \pm 1°.
 - 1. NET WEIGHT APPROX. 4.5 KG (10 LBS)
- NOTE: UNLESS OTHERWISE SPECIFIED

| | | |
|---|----------------------------------|---------------------|
| UNLESS OTHERWISE SPECIFIED DIMENSIONS IN MILLIMETERS (IN) | | |
| TOLERANCES ARE: | | |
| DECIMALS .X \pm .5 [.02] | DECIMALS .XX \pm .25 [.010] | ANGLES \pm 1/2 |
| DEBURR EDGES .25 [.010] R MAX | | |
| MATERIAL | | |
| FINISH | | |

| APPROVALS | DATE (DD-MMM-YY) |
|--------------------------------|------------------|
| DRAWN J. DELARM | 16-OCT-12 |
| CHECKED - | - |
| MFG ENG - | - |
| QA CHECK - | - |
| DRAWING INFO: FG-000392-2D.A.2 | |
| MODEL INFO: FG-000392-3D.A.1 | |

| | | | |
|-----------------------------------|---------------------|--|----------|
| | | QSC AUDIO PRODUCTS, LLC | |
| | | 1675 MACARTHUR BOULEVARD COSTA MESA, CA 92626 | |
| ACCESSORY, YOKE MOUNT, AP-5122 | | | |
| SIZE B | CAGE CODE 00PW 4 | DRAWING NO. FG-000392-2D | REV A |
| SCALE: 0.125 | | DO NOT SCALE DRAWING | |
| SHEET | | 1 OF 1 | |