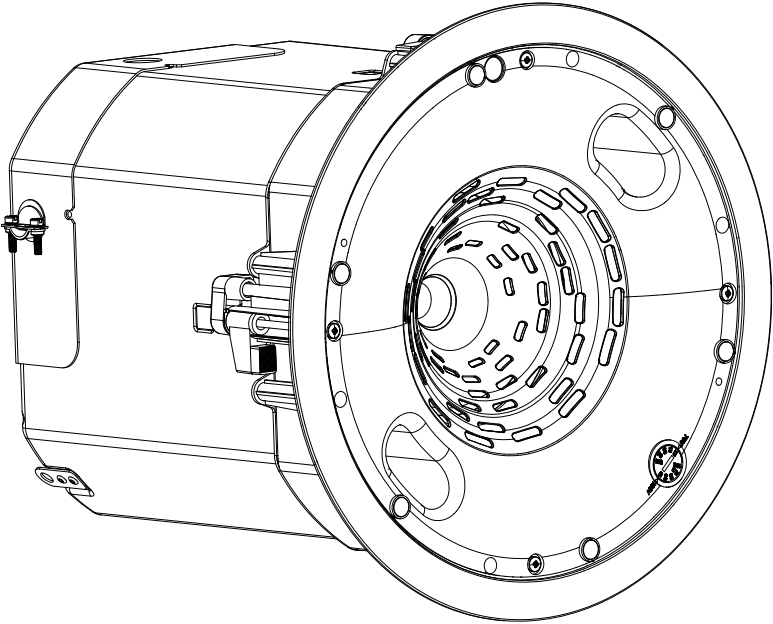
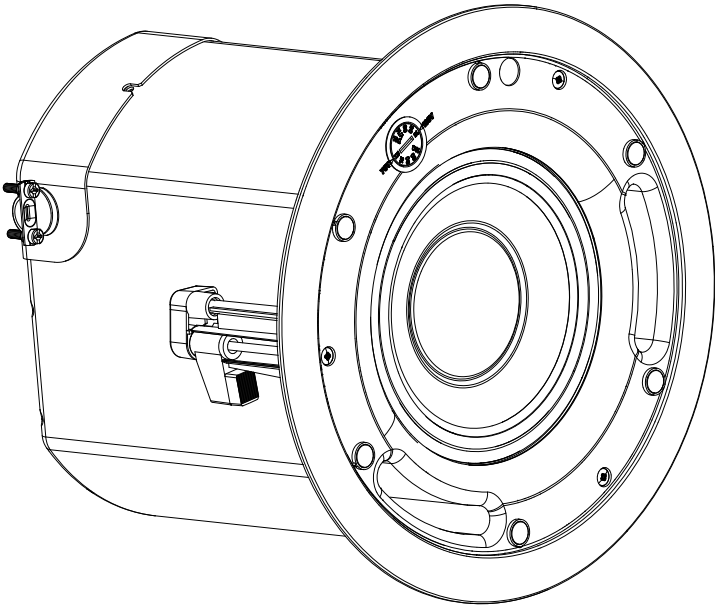


## AcousticDesign™ Series

AD-C6T-HP Ceiling Mount Loudspeaker – High Power

AD-C6T-HC Ceiling Mount Loudspeaker – High Ceiling



TD-001665-01-A



# EXPLANATION OF TERMS AND SYMBOLS

The term "**WARNING!**" indicates instructions regarding personal safety. If the instructions are not followed the result may be bodily injury or death.

The term "**CAUTION!**" indicates instructions regarding possible damage to physical equipment. If these instructions are not followed, it may result in damage to the equipment that may not be covered under the warranty.

The term "**IMPORTANT!**" indicates instructions or information that are vital to the successful completion of the procedure.

The term "**NOTE**" is used to indicate additional useful information.



The lightning flash with arrowhead symbol in a triangle alerts the user to the presence of uninsulated dangerous voltage within the product's enclosure that may constitute a risk of electric shock to humans.



The exclamation point within a triangle alerts the user to important safety, operating, and maintenance instructions in this manual.



## IMPORTANT SAFETY INSTRUCTIONS



**WARNING!:** TO PREVENT FIRE OR ELECTRIC SHOCK, DO NOT EXPOSE THIS EQUIPMENT TO RAIN OR MOISTURE.

1. Read, follow, and keep these instructions.
2. Heed all warnings.
3. Do not use this apparatus in or near water or liquids.
4. Clean only with a dry cloth.
5. Do not install near any heat sources such as radiators, heat registers, stoves, or other apparatus (including amplifiers) that produce heat.
6. Only use attachments/accessories specified by the manufacturer.
7. Refer all servicing to qualified service personnel. Servicing is required when the apparatus has been damaged in any way, such as power-supply cord or plug is damaged, liquid has been spilled or objects have fallen into the apparatus, the apparatus has been exposed to rain or moisture, does not operate normally, or has been dropped.
8. Do not use any aerosol spray, cleaner, disinfectant or fumigant on, near or into the apparatus.
9. Do not block any ventilation opening. Keep ventilation opening free of dust or other matter.
10. Install in accordance with the manufacturer's instructions.
11. Adhere to all applicable, local codes.
12. Consult a licensed, professional engineer when any doubt or questions arise regarding a physical equipment installation.

## Maintenance and Repair



**WARNING:** Advanced technology, e.g., the use of modern materials and powerful electronics, requires specially adapted maintenance and repair methods. To avoid a danger of subsequent damage to the apparatus, injuries to persons and/or the creation of additional safety hazards, all maintenance or repair work on the apparatus should be performed only by a QSC authorized service station or an authorized QSC international distributor. QSC is not responsible for any injury, harm or related damages arising from any failure of the customer, owner or user of the apparatus to facilitate those repairs.

# Specifications and Dimensions

Product specifications and dimension drawings for the AD-C6T-HP and AD-C6T-HC can be found online at [qsys.com](http://qsys.com).

## RoHS Statements

The QSC AD-C6T-HP and AD-C6T-HC loudspeakers are in compliance with European RoHS Directive.

The QSC AD-C6T-HP and AD-C6T-HC loudspeakers are in compliance with “China RoHS” directives. The following table is provided for product use in China and its territories.

		QSC AD-C6T-HP and AD-C6T-HC Loudspeakers				
部件名称 (Part Name)	有害物质 (Hazardous Substances)					
	铅 (Pb)	汞 (Hg)	镉 (Cd)	六价铬 (Cr(vi))	多溴联苯 (PBB)	多溴二苯醚 (PBDE)
电路板组件 (PCB Assemblies)	X	○	○	○	○	○
机壳装配件 (Chassis Assemblies)	X	○	○	○	○	○

本表格依据 SJ/T 11364 的规定编制。

O: 表示该有害物质在该部件所有均质材料中的含量均在 GB/T 26572 规定的限量要求以下。

X: 表示该有害物质至少在该部件的某一均质材料中的含量超出 GB/T 26572 规定的限量要求。

(目前由于技术或经济的原因暂时无法实现替代或减量化。)

This table is prepared following the requirement of SJ/T 11364.

O: Indicates that the concentration of the substance in all homogeneous materials of the part is below the relevant threshold specified in GB/T 26572.

X: Indicates that the concentration of the substance in at least one of all homogeneous materials of the part is above the relevant threshold specified in GB/T 26572.

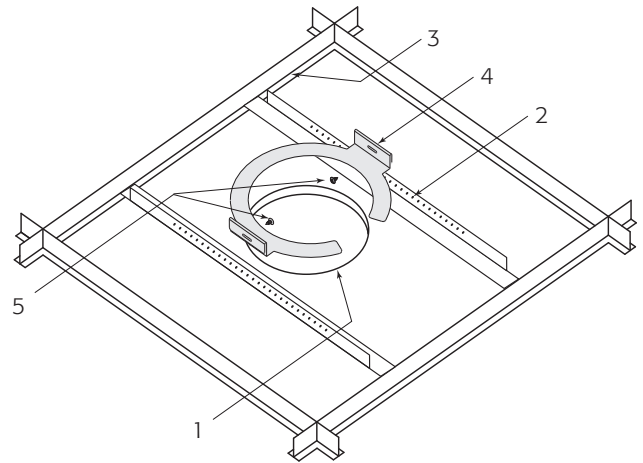
(Replacement and reduction of content cannot be achieved currently because of the technical or economic reason.)

# Installation

## Prepare Ceiling

Refer to Figure 1.

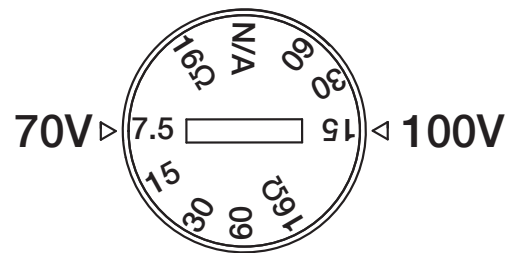
1. Use the template provided to mark and cut a hole (1) in the ceiling where the loudspeaker is to be installed. For a frame-construction ceiling, skip to "Wire the Loudspeakers".
2. Install two V-rails (2), one on each side of the hole, and supported by the suspended-ceiling support rails (3).
3. Install the C-ring (4) over the hole using the V-rails as support. Make sure the clips on the C-ring are properly fitted over the V-rail.
4. Use sheet-metal screws (5) to secure the C-ring to the V-rails.



— Figure 1 —

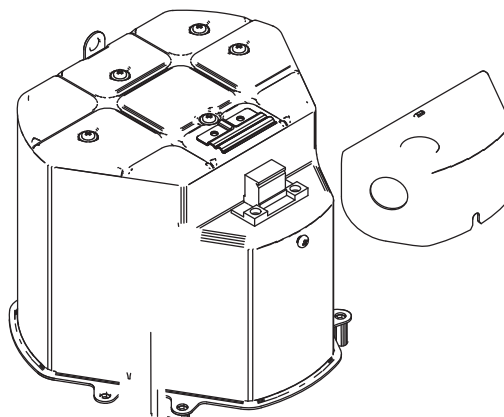
## Wire the Loudspeakers

1. Set the transformer tap switch located under the grille for the desired wattage setting or  $16\Omega$  for low impedance operation as shown in Figure 2.
2. Back out the conduit covers Phillips retaining screw to its stop point and pull the conduit cover straight out to remove as shown in Figure 3.
3. Pass the wires through the conduit/stress-relief clamp, leaving enough wire for making connections. Carefully tighten the clamp over the wires, or over the conduit if used.
4. Wire the female Euro-style plug as shown in Figure 4.
5. Plug the connector securely into the receptacle.
6. Reattach the conduit cover and secure with the Phillips retaining screw.

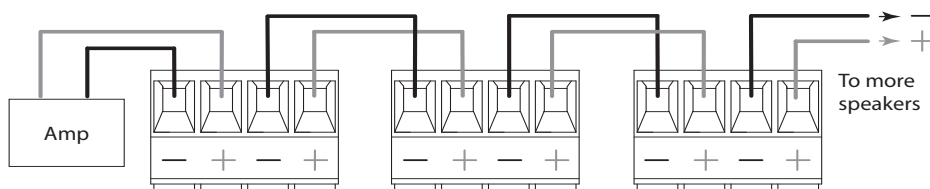


— Figure 2 —

— Figure 3 —



— Figure 4 —

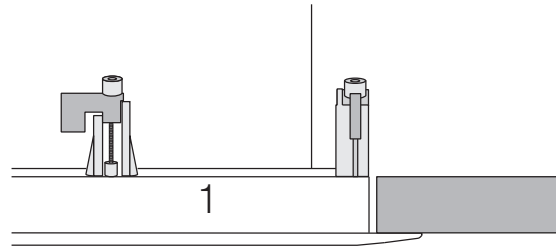


Parallel Wiring Diagram

## Mount the Loudspeaker

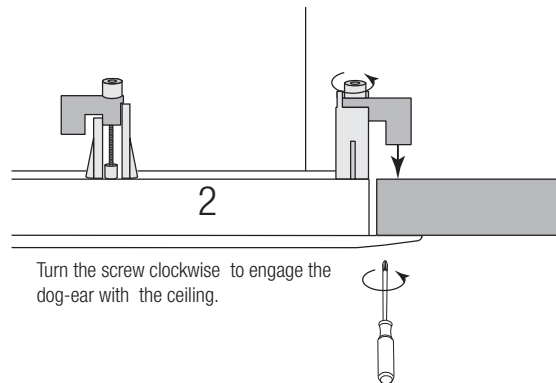
Refer to Figure 5.

1. Make sure all of the dog-ears are fully extended and in their non-capture position.
2. Position the loudspeaker into the hole prepared in the ceiling.
3. Use a Phillips screwdriver to tighten each of the three dog-ear screws. As you tighten the screws, the dog-ears will swing into capture position over the ceiling. Be sure all dog-ears are properly positioned over the ceiling.
4. Tighten the dog-ears until firm contact is made with the ceiling surface.  
**CAUTION:** Do not overtighten the dog-ear screws.
5. Insert the grille safety tether grommet into supplied hole on the loudspeaker baffle and install the grille.



Dog-ears against loudspeaker

— Figure 5 —





## Self Help Portal

Read knowledge base articles and discussions, download software and firmware, view product documents and training videos, and create support cases.

<https://qscprod.force.com/selfhelpportal/s/>

## Customer Support

Refer to the Contact Us page on the Q-SYS website for Technical Support and Customer Care, including their phone numbers and hours of operation.

[qsys.com/contact-us/](https://qsys.com/contact-us/)

## Warranty

For a copy of the QSC Limited Warranty, go to:

[qsys.com/support/warranty-statement](https://qsys.com/support/warranty-statement)