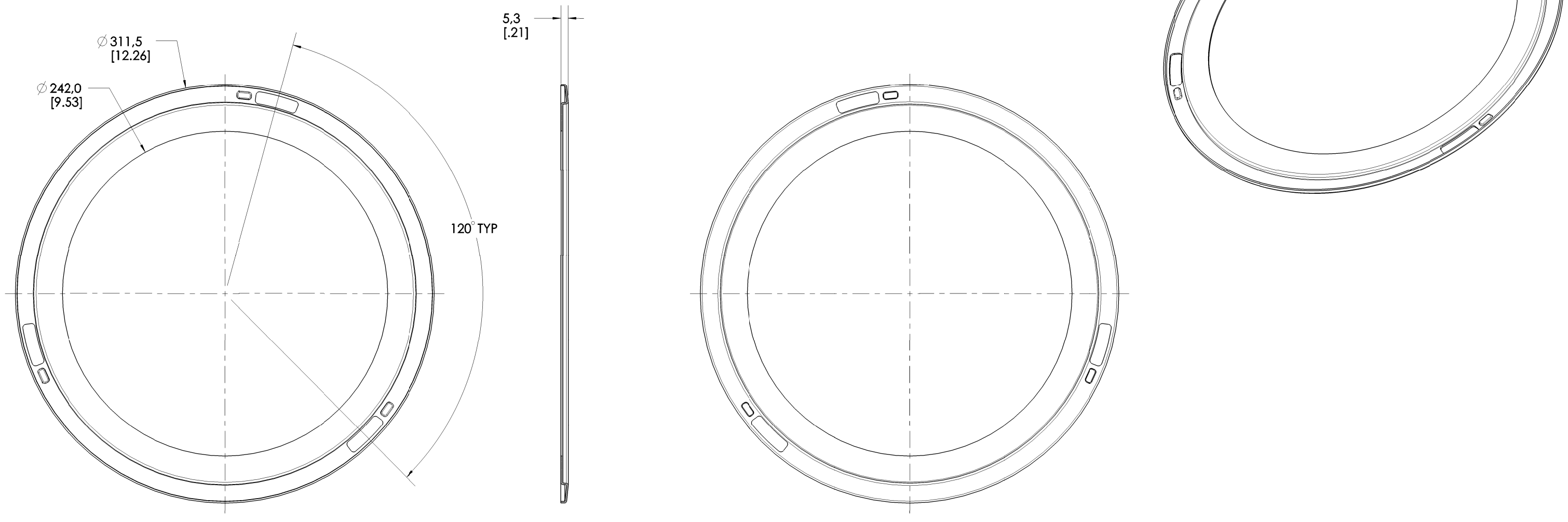


THIS DOCUMENT CONTAINS PROPRIETARY INFORMATION WHICH IS THE PROPERTY OF QSC, LLC, THAT MAY NOT BE DISCLOSED, REPRODUCED OR USED WITHOUT THE EXPRESS WRITTEN CONSENT FROM QSC, LLC.

REVISION		BY	DATE
REV	DESCRIPTION	SS	11-JUL-18
A	INITIAL RELEASE		

NOTE: UNLESS OTHERWISE SPECIFIED
1. NET WEIGHT APPROX. 0.7 LBS (0.32 KG)



SECTION A-A

UNLESS OTHERWISE SPECIFIED DIMENSIONS ARE IN MM [IN] TOLERANCES ARE: DECIMALS ANGLES .X ± 3 [.12] ±1°	CAD GENERATED DRAWING DO NOT MANUALLY UPDATE	QSC QSC, LLC 1675 MACARTHUR BOULEVARD COSTA MESA, CA 92626 USA
	APPROVALS	
MATERIAL N/A	DRAWN BY S. STASIAK	FINISH GOOD, ACCESSORY, AD-MC245, FULL CAPTURE MARINE COLLAR, AD-C4T-LP, AD-C6T
FINISH N/A	MECH ENGINEER B. HAWKINS	
DO NOT SCALE DRAWING	TECH DIRECTOR J. HALLEY	
PROJECTION SYMBOL	MFG ENG M. JEN	SIZE CAGE CODE DWG. NO. REV B 00PW4 FG-901296-2D A
SCALE: 1:3 CAD FILE: FG-901296-2D.A.2 SHEET: 1 OF 1		