

# Acoustic Design™ Series



## Quick Start Guide

### AD-S6

#### Install the X-Mount™ Bracket



**WARNING:** Install the system in accordance with local building codes and regulations. Use a licensed contractor or professional engineer. QSC is not responsible for damages that may result from negligent installation of any bracket or loudspeaker.

Refer to Figure 1

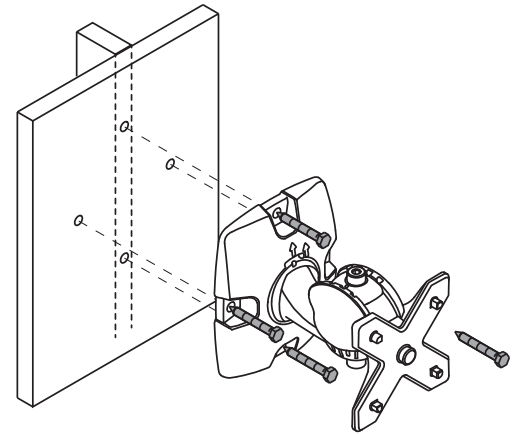
Mount to a surface that can support the weight of the loudspeaker.

#### Adjust the Angle of the Bracket

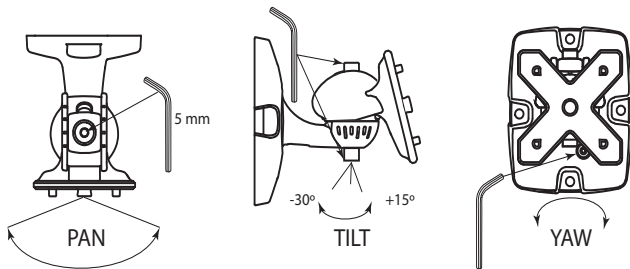
Refer to Figure 2



**NOTE:** You can adjust the bracket angle before or after mounting the loudspeaker.



– Figure 1 –



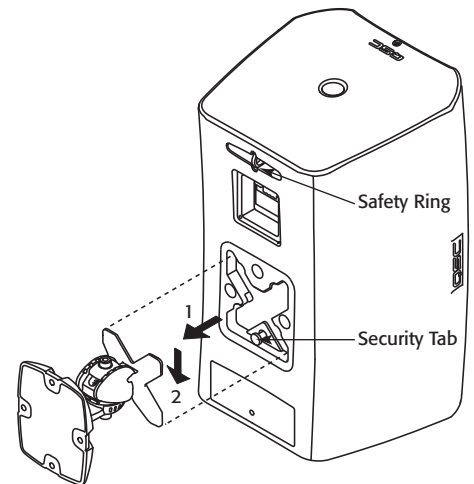
– Figure 2 –

| Model | Pan  | Tilt       | Yaw |
|-------|------|------------|-----|
| AD-S6 | ±75° | +15°, -30° | N/A |

– Table 1 –

#### Mount the Loudspeaker on the X-Mount™ Bracket

Refer to Figure 3



– Figure 3 –

TD-001587-01-A





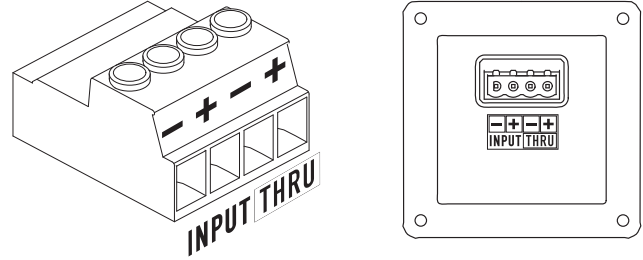
**WARNING:** The X-Mount supplied with the AD-S6 is specifically designed for the working load presented by the loudspeaker. The mounts are not interchangeable among models. Use only the X-Mount provided with your loudspeaker.

## Wire the Loudspeaker

Refer to Figure 4.

## Warranty

For a copy of the QSC Limited Warranty, visit our website at [www.qsc.com](http://www.qsc.com)



– Figure 4 –



### Mailing Address:

QSC, LLC  
1675 MacArthur Boulevard  
Costa Mesa, CA 92626-1468 USA

### Facsimile Numbers:

Sales & Marketing FAX: (714) 754-6174  
Customer Service FAX: (714) 754-6173

### Telephone Numbers:

Main Number: (714) 754-6175  
Sales & Marketing: (714) 957-7100 or toll free (USA only)  
(800) 854-4079  
Customer Service: (714) 957-7150 or toll free (USA only)  
(800) 772-2834

### World Wide Web:

[www.qsc.com](http://www.qsc.com)

### E-mail:

[info@qsc.com](mailto:info@qsc.com)  
[service@qsc.com](mailto:service@qsc.com)  
[tech\\_support@qsc.com](mailto:tech_support@qsc.com)

If you would like a full copy of the user manual, visit the QSC website at [www.qsc.com](http://www.qsc.com), or contact Customer Service +1 714 957-7150 or toll free (USA only) (800) 772-2834 to receive a copy by mail.

Si desea obtener una copia completa del manual del usuario, visite el sitio web de QSC en [www.qsc.com](http://www.qsc.com), o póngase en contacto con el Servicio al Cliente al +1 714 957-7150 o sin costo (sólo en EE.UU.) al (800) 772-2834 para recibir una copia por correo.

Pour obtenir un exemplaire complet du manuel d'utilisation, allez sur le site Web QSC à [www.qsc.com](http://www.qsc.com) ou contactez le service clientèle au +1 714 957-7150 ou au (800) 772-2834 (numéro vert - USA seulement) pour recevoir un exemplaire par courrier.

Ein vollständiges Exemplar des Benutzerhandbuchs finden Sie auf der QSC Website unter [www.qsc.com](http://www.qsc.com). Sie können sich unter +1 714 957-7150 oder unter der (nur in den USA) gebührenfreien Nummer +1 (800) 772-2834 auch an den Kundendienst wenden, um sich ein Exemplar zuschicken zu lassen.

如果您需要 品用户手册的完整副本，请访问 QSC 音频产品网站 [www.qsc.com](http://www.qsc.com)，或致电客户服务部门 +1 714 957-7150，或拨打免费电话（仅限美国）(800) 772-2834 通过邮件获取副本。

Если вам нужна полная копия руководства пользователя CXD, посетите веб-сайт QSC на [www.qsc.com](http://www.qsc.com) или свяжитесь со службой по работе с клиентами (+1 714 957-7150 или по бесплатному телефону (только для США) (800) 772-2834) для получения копии по почте.

إذا طنات تظب بفتح الالوسما وبار نسوة طاماة من عابما الالوسمذعة ، بقه بظبلة هههه و QSC وبار الالوب وبار ، [www.qsc.com](http://www.qsc.com) ، أة اتصا بظعة الالال +1 714 957-7150 أو أة الالقة الالالانج (الالالالال الالالالال بفتحه) (800) 772-2834 الالالالال وبار نسوة ون لظبة بظب.