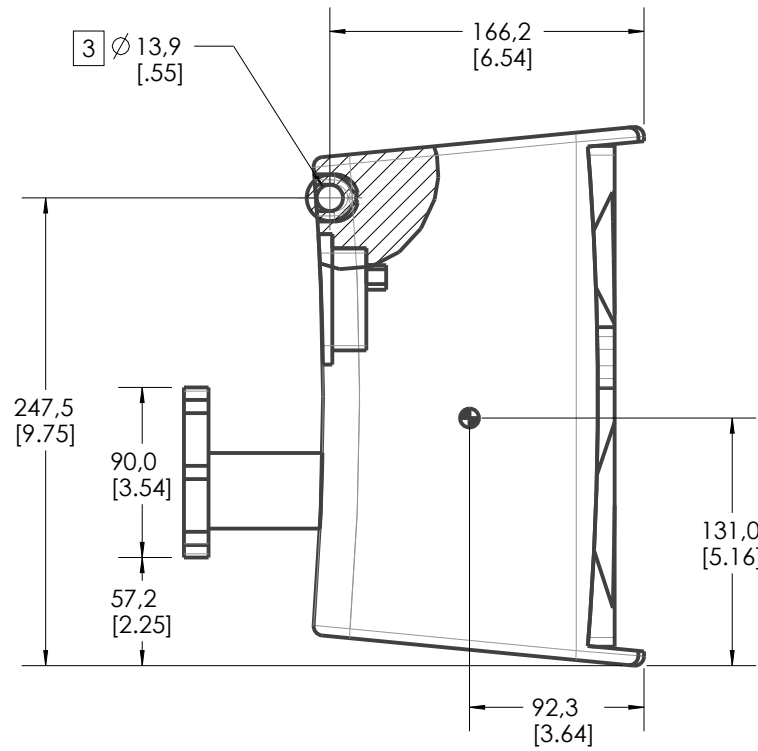
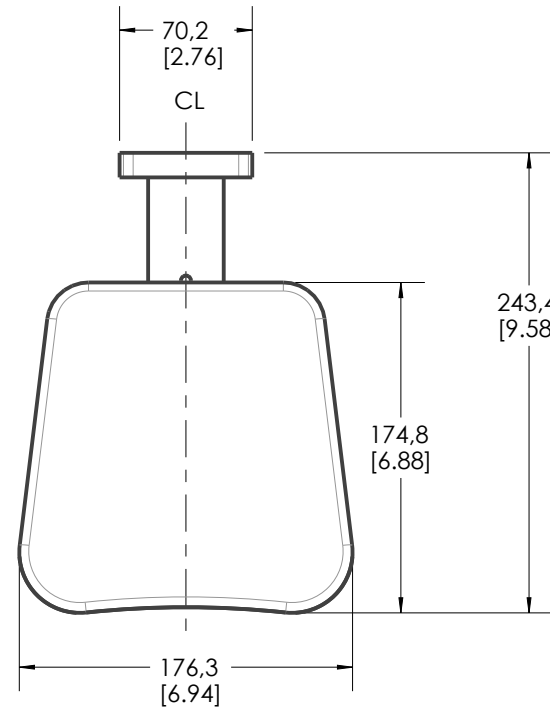


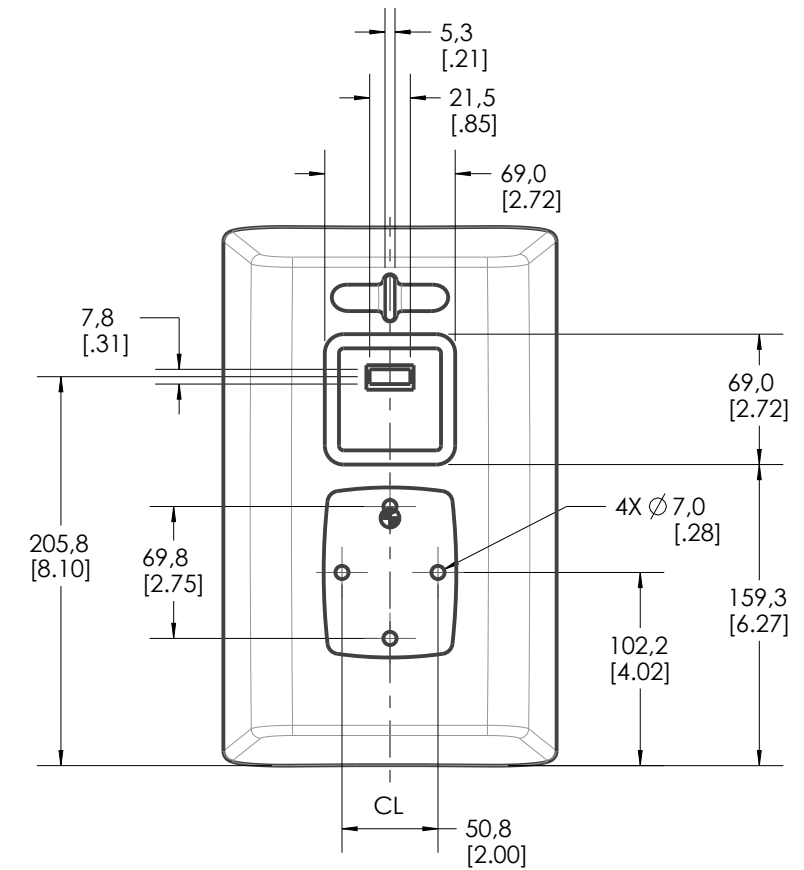
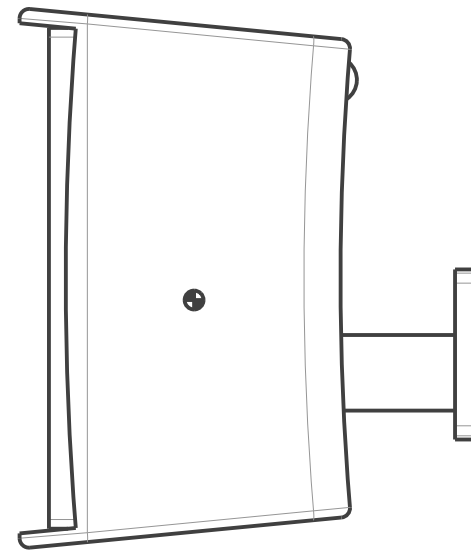
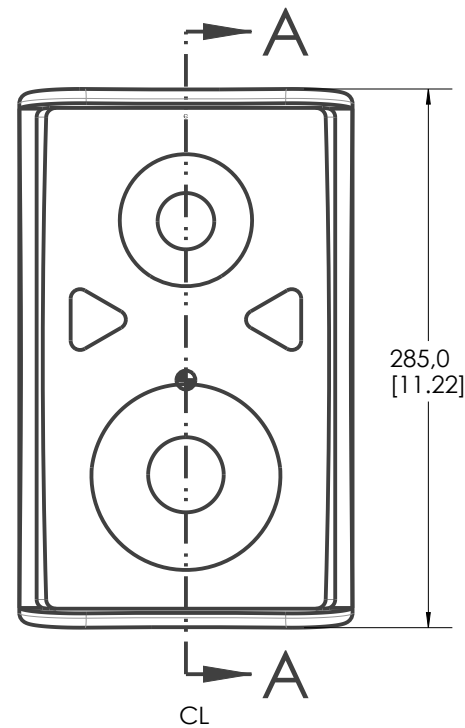
THIS DOCUMENT CONTAINS CONFIDENTIAL OR PROPRIETARY INFORMATION WHICH IS THE PROPERTY OF QSC, LLC, THAT MAY NOT BE DISCLOSED, REPRODUCED OR USED WITHOUT EXPRESS WRITTEN CONSENT FROM QSC, LLC. NO PORTION OF THIS DOCUMENT MAY BE REPRODUCED, REDISTRIBUTED, OR OTHERWISE DISCLOSED TO ANY THIRD PARTY WITHOUT QSC'S WRITTEN PERMISSION.

REVISION			
REV	DESCRIPTION	BY	DATE
A	INITIAL RELEASE	H.HE	27-OCT-20

- NOTES: UNLESS OTHERWISE SPECIFIED
1. NET WEIGHT APPROX. 3.7 KG [8.16 LBS].
 2. PARTS ARE SYMMETRICAL ABOUT CENTER LINES UNLESS OTHERWISE NOTED.
 - 3 SAFETY HARNESS EYEBOLT.
 4. SYMBOL ● INDICATES CENTER OF GRAVITY.
 5. GRILLE NOT SHOWN FOR CLARITY.
 6. MOUNTING BRACKET SHOWN IN ZERO TILT, ZERO PAN ORIENTATION.



SECTION A-A



UNLESS OTHERWISE SPECIFIED
DIMENSIONS ARE IN MM [IN]
TOLERANCES ARE:
DECIMALS ANGLES
.X±3.0 [.12] ±1°
.XX±

CAD GENERATED DRAWING
DO NOT MANUALLY UPDATE

QSC QSC, LLC
1675 MACARTHUR BOULEVARD
COSTA MESA, CA 92626 USA

MATERIAL N/A
FINISH N/A
DO NOT SCALE DRAWING
PROJECTION SYMBOL

APPROVALS
DRAWN BY
H. HE
MECH ENGINEER
B. HAWKINS
TECH DIRECTOR
J. SANDERS
MFG ENGINEER
T. WONG

FINISHED GOOD,
LOUDSPEAKER, AD-S5T
FULL RANGE 5.25"

SIZE CAGE CODE DWG. NO. REV
B 00PW4 FG-901337-2D A
SCALE: 1 : 4 CAD FILE: FG-901337-2D.1.1 SHEET: 1 OF 1