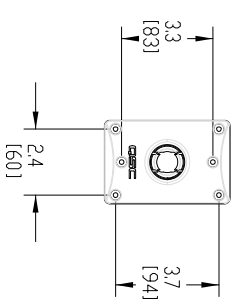
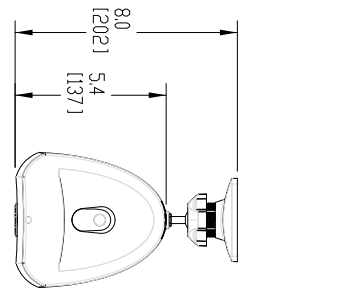
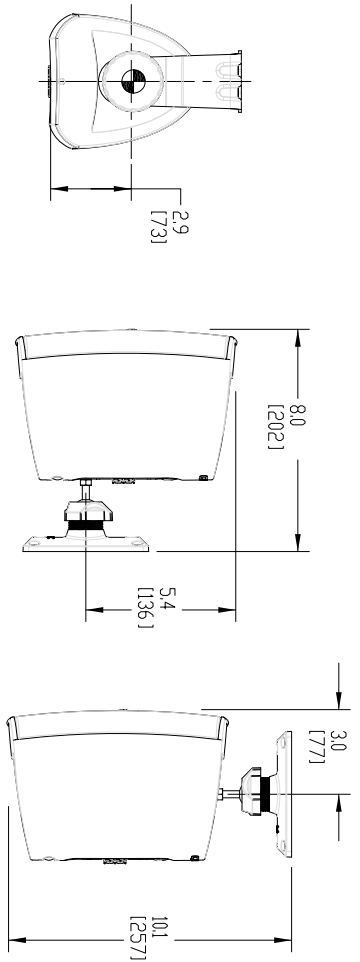
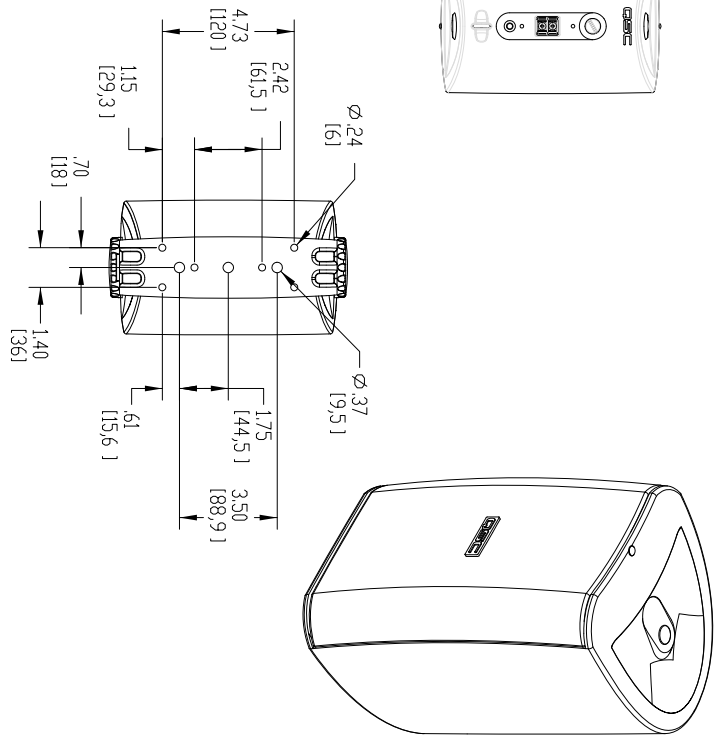
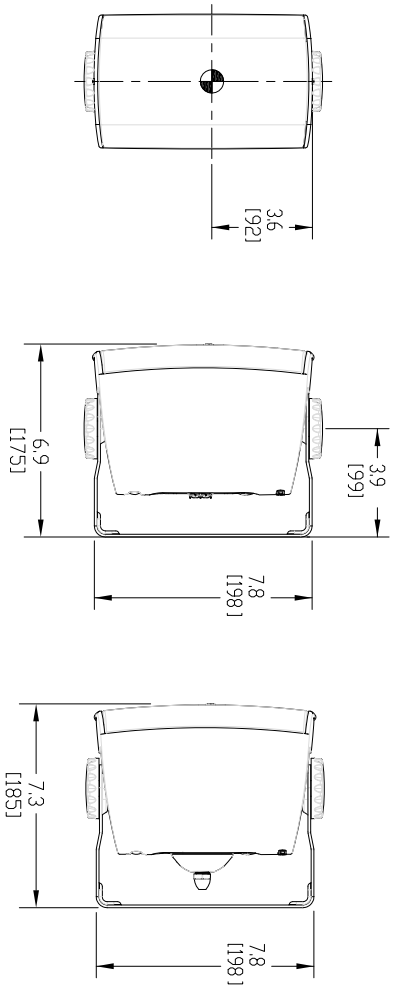
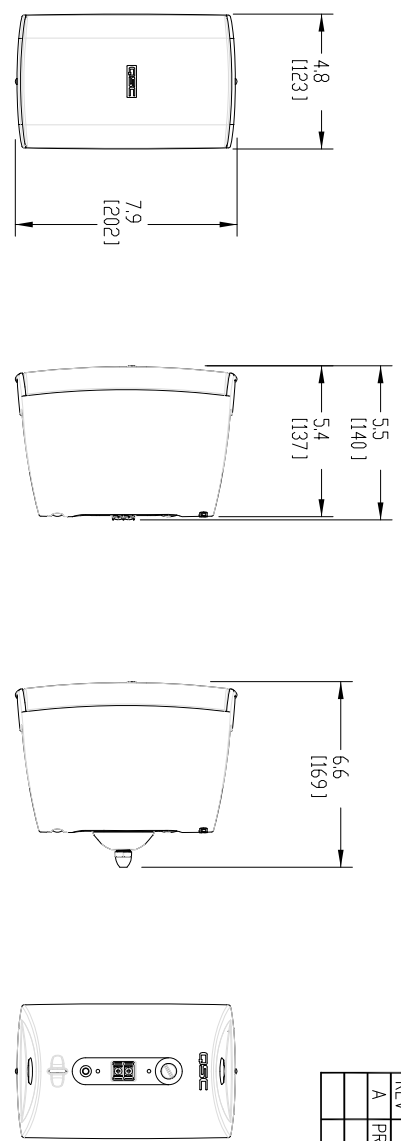


THIS DOCUMENT CONTAINS PROPRIETARY INFORMATION AND IS THE PROPERTY OF OSC AUDIO PRODUCTS, INC. IT IS TO BE USED ONLY FOR THE PROJECT AND PRODUCT SPECIFICALLY IDENTIFIED HEREIN. IT IS NOT TO BE REPRODUCED OR TRANSMITTED IN ANY FORM OR BY ANY MEANS, ELECTRONIC OR MECHANICAL, INCLUDING PHOTOCOPYING, RECORDING, OR BY ANY INFORMATION STORAGE AND RETRIEVAL SYSTEM, WITHOUT EXPRESS WRITTEN CONSENT FROM OSC AUDIO PRODUCTS.

REV		DESCRIPTION	EFF. DATE	CHK	APVD
A	1	PRODUCTION RELEASE PER ECO 8386 AA	11-09-07	LE	DD

REV		DESCRIPTION	EFF. DATE	CHK	APVD
A	1	PRODUCTION RELEASE PER ECO 8386 AA	11-09-07	LE	DD



UNLESS OTHERWISE SPECIFIED DIMENSIONS ARE IN INCHES. TOLERANCES ARE: ANGLES .XX ± .02 .XXX ± .010 ± 1/2 DEBURR EDGES .010 R MAX

CONTRACT NO.	DATE	APPROVALS
	29-04-07	BRAM A. ARANDA
	11-02-07	CHECKED M. HARRIS
	11-06-07	DRG ENG G. TSCHETTER
	11-09-07	DESIGNED D. DELARM

OSQ AUDIO PRODUCTS, INC.
1675 MACARTHUR BOULEVARD
COSTA MESA, CA 92626

SPEAKER, FINISHED,
AD-S32

SCALE 0.300

SIZE TAG CODE C 00PW4 DWG NO. RD-000477-00

DO NOT SCALE DRAWING

MODEL NO. AD-S32 MANUAL rev1.10+

FINISH NONE

MATERIAL NONE

REVISIONS

1 of 1

1. NET WEIGHT APPROX. 2.7 KG (6.0 LBS).
 2. TOLERANCES (INCHES): .XX ± .13, ANGLES: ± 1'.
 3. SYMBOL INDICATES CENTER OF BALANCE.
- NOTE: UNLESS OTHERWISE SPECIFIED

