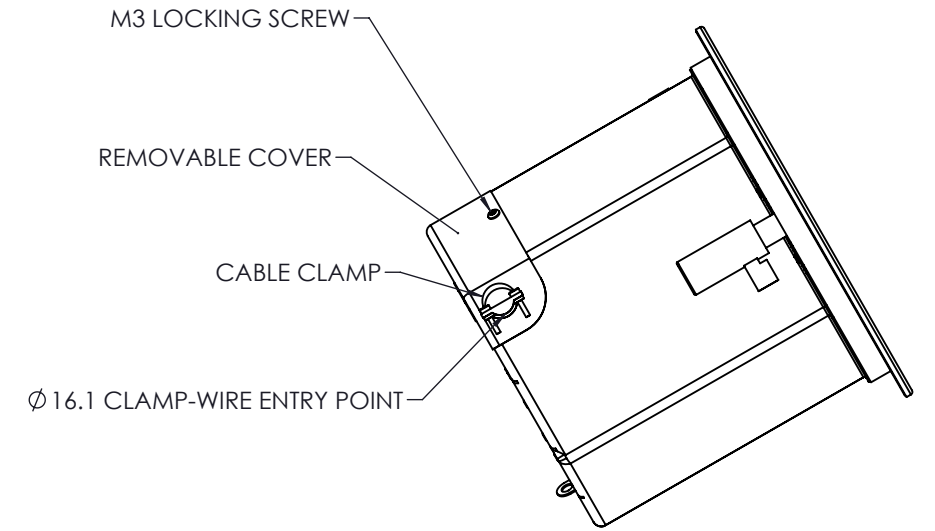
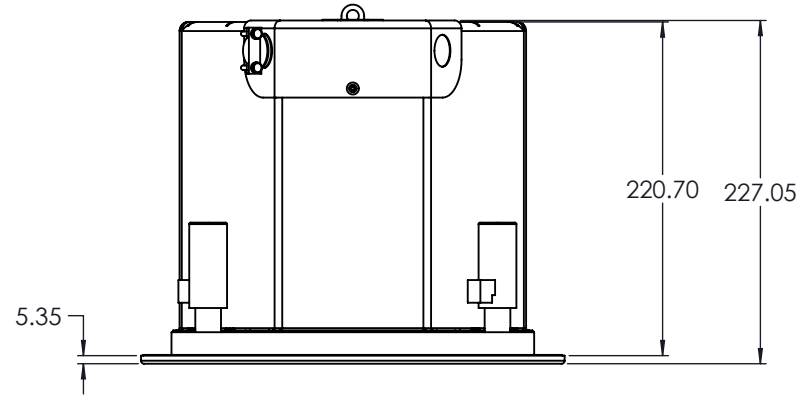
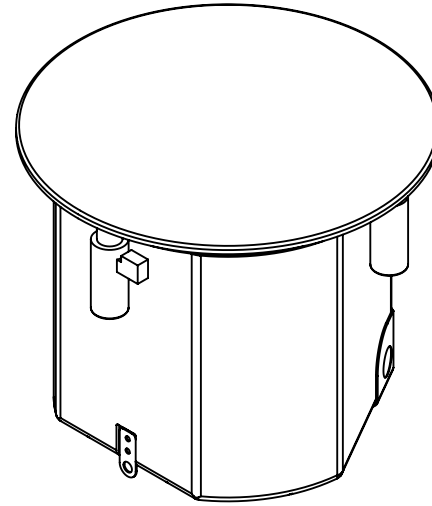


NOTES: UNLESS OTHERWISE SPECIFIED

1. NET WEIGHT APPROX. 6.14 KG [13.53 LBS].
2. PARTS ARE SYMMETRICAL ABOUT CENTER LINES UNLESS OTHERWISE NOTED.
- 3 SEISMIC MOUNTING TAB.
4. GRILLE NOT SHOWN FOR CLARITY.
- 5 RECOMMENDED CEILING CUTOUT HOLE DIAMETER 302MM.
- 6 MOUNTING CLAMP MAXIMUM MATERIAL THICKNESS 57.2MM.



SECTION A-A

