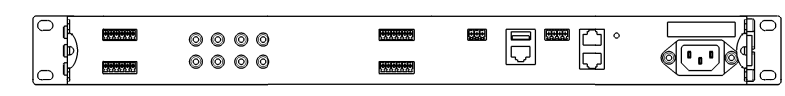
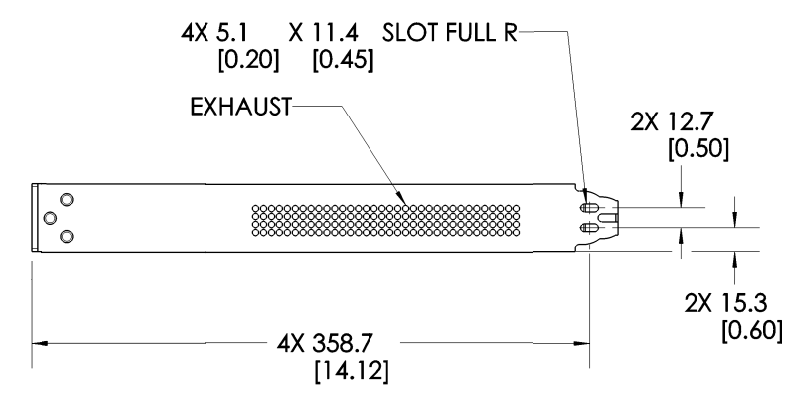
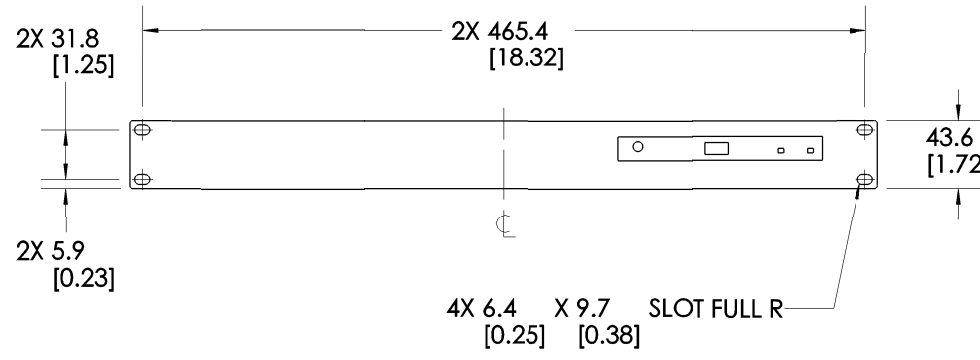
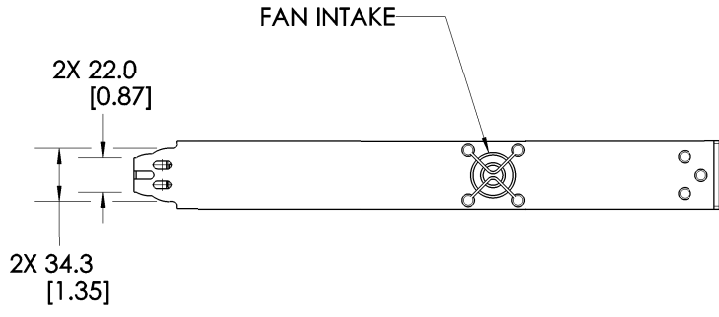
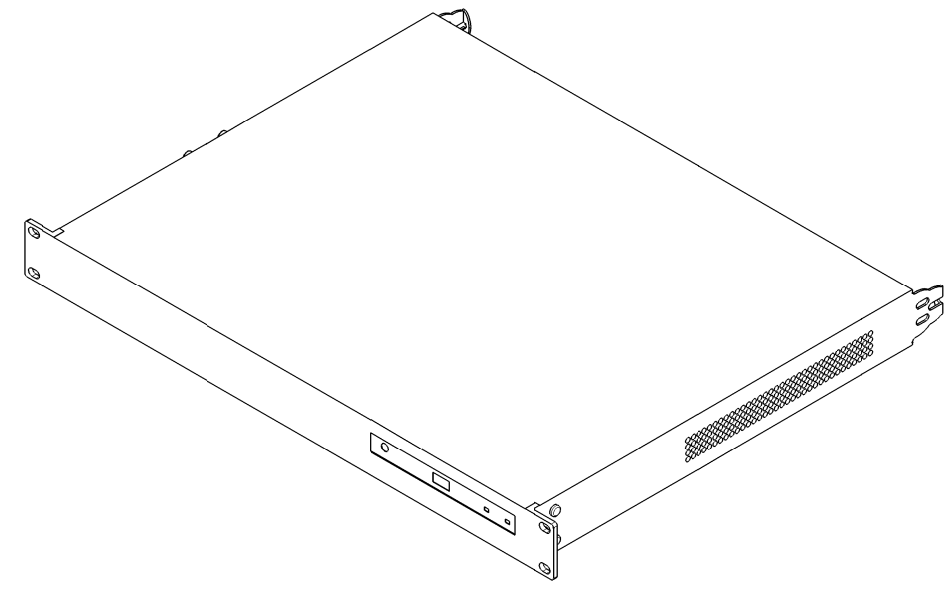
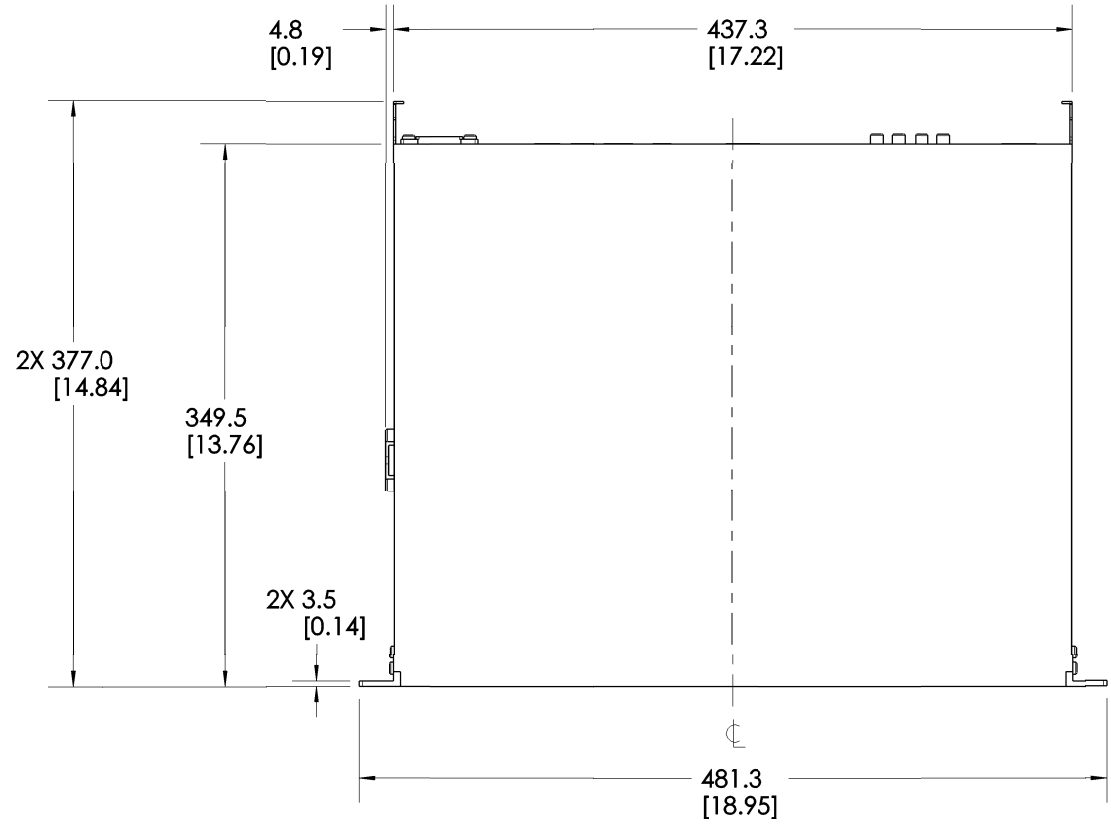


REVISION		BY	DATE
REV	DESCRIPTION		
A	INITIAL RELEASE	ES	24-APR-18



REAR VIEW

1. NET WEIGHT APPROX. 3.0 KG [6.6 LBS]

NOTES: UNLESS OTHERWISE SPECIFIED.

UNLESS OTHERWISE SPECIFIED DIMENSIONS ARE IN MM [IN]		CAD GENERATED DRAWING DO NOT MANUALLY UPDATE		QSC QSC, LLC 1675 MACARTHUR BOULEVARD COSTA MESA, CA 92626 USA	
TOLERANCES ARE:		APPROVALS		FINISHED GOOD, MIXER, MP-M40-NA, 100-240V, BK. MUSIC & PAGING, 8 INPUTS X 4 OUTPUTS	
DECIMALS	ANGLES	DRAWN BY B. SHASTRI			
X ± 3 [.12]	± 1°	MECH ENGINEER D. SIMPSON			
MATERIAL	N/A	TECH DIRECTOR S. NENADIC			
FINISH	N/A	MFG ENG C. YOMOYIDA		SIZE	CAGE CODE
DO NOT SCALE DRAWING		B	00PW4	DWG. NO.	FG-901147-2D
PROJECTION SYMBOL		SCALE: 1:5	CAD FILE: FG-901147-2D.A.0	REV	A
		SHEET: 1 OF 1			