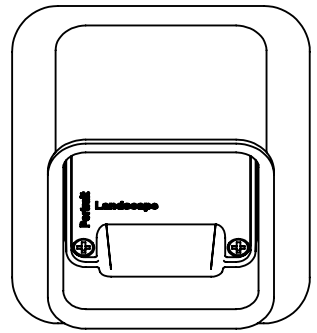


THIS DOCUMENT CONTAINS CONFIDENTIAL OR PROPRIETARY INFORMATION WHICH IS THE PROPERTY OF QSC, LLC THAT MAY NOT BE DISCLOSED, REPRODUCED OR USED WITHOUT EXPRESS WRITTEN CONSENT FROM QSC, LLC. NO PORTION OF THIS DOCUMENT MAY BE REPRODUCED, REDISTRIBUTED, OR OTHERWISE DISCLOSED TO ANY THIRD PARTY WITHOUT QSC'S WRITTEN PERMISSION.

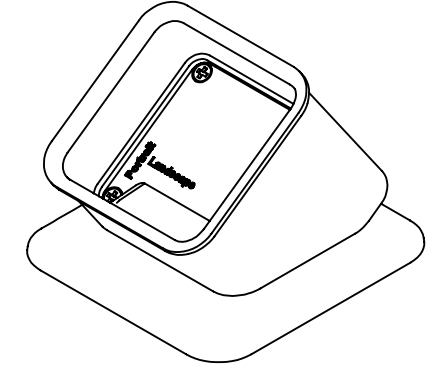
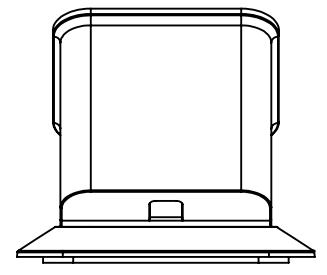
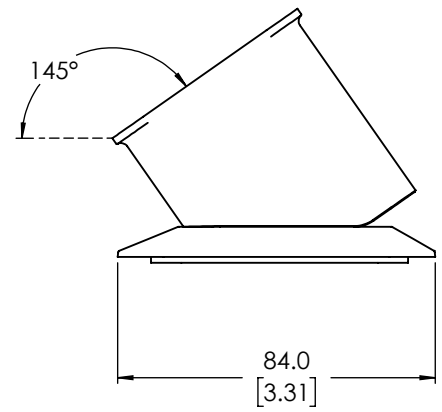
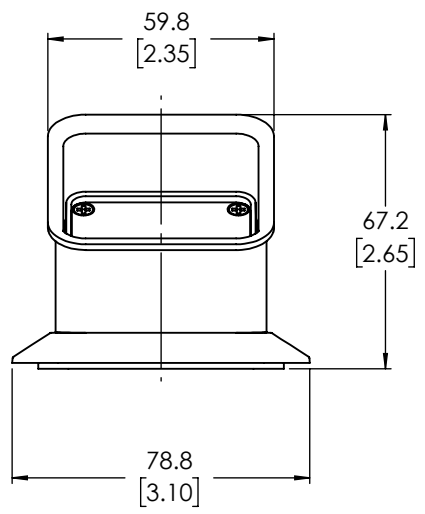
REVISIONS			
REV	DESCRIPTION	BY	DATE
A	INITIAL RELEASE	SS	15-DEC-2021

NOTES: UNLESS OTHERWISE SPECIFIED

- NET WEIGHT APPROXIMATELY 0.19 KG [0.4 LBS] (0.42 KG [0.9 LBS] WITH TOUCHSCREEN CONTROLLER).
- PARTS ARE SYMMETRICAL ABOUT CENTER LINES UNLESS OTHERWISE NOTED.



TOP VIEW



ISOMETRIC VIEW

STAND FOR 5" TOUCHSCREEN CONTROLLER

UNLESS OTHERWISE SPECIFIED DIMENSIONS ARE IN MM [IN] TOLERANCES ARE:		CAD GENERATED DRAWING DO NOT MANUALLY UPDATE		QSC, LLC 1675 MACARTHUR BOULEVARD COSTA MESA, CA 92626 USA	
DECIMALS .X ± 3.0 (.12) .XX ±	ANGLES ±1°	APPROVALS		ACCESSORY, TSC-50T-G3, TSC-G3 5IN TABLETOP STAND	
MATERIAL SEE NOTES	FINISH SEE NOTES	DRAWN BY S. STASIAK MECH ENGINEER		SIZE B	REV A
DO NOT SCALE DRAWING	PROJECTION SYMBOL	TECH DIRECTOR T.GOSSARD		CAGE CODE 00PW4	DWG. NO. FG-901459-2D
		MFG ENGINEER T.MORGAN		SCALE: 1:2	CAD FILE: FG-901459-2D
				SHEET: 1 OF 2	