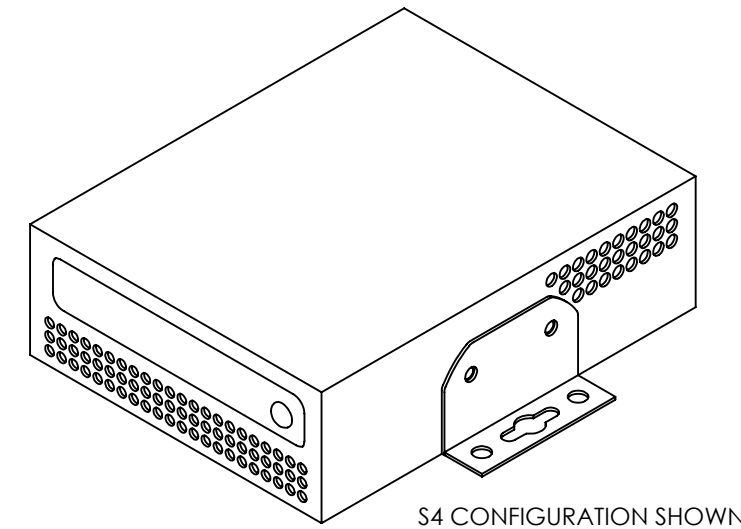
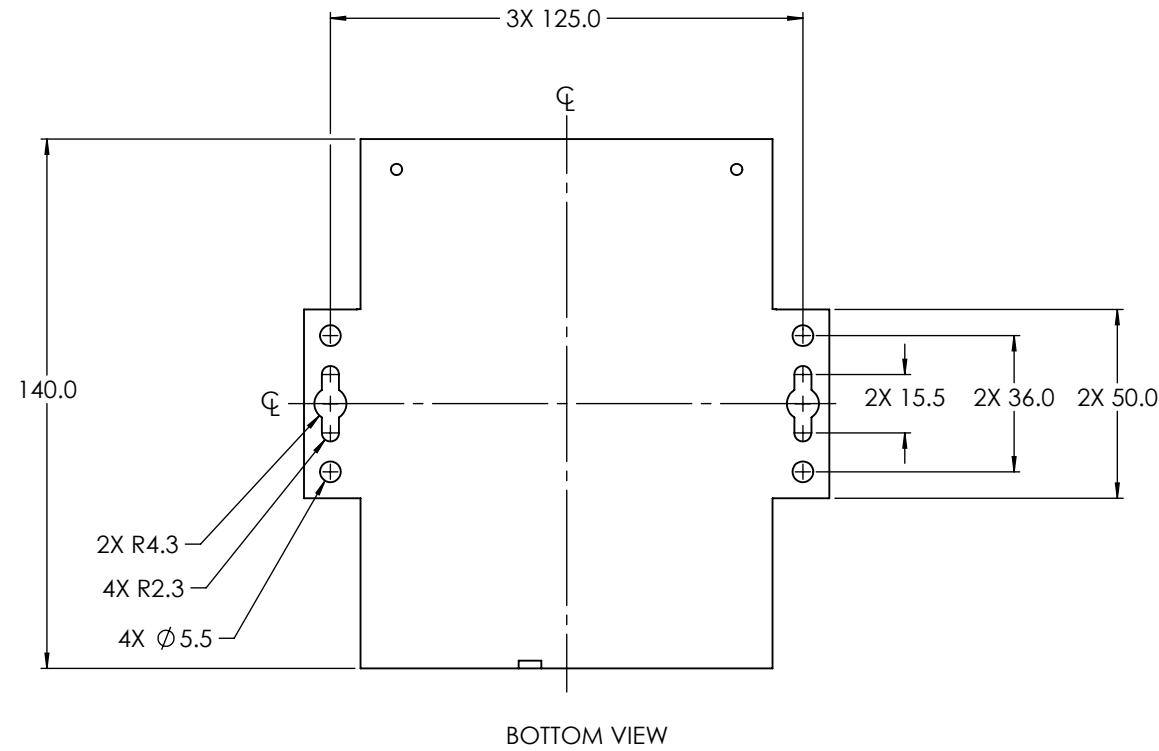
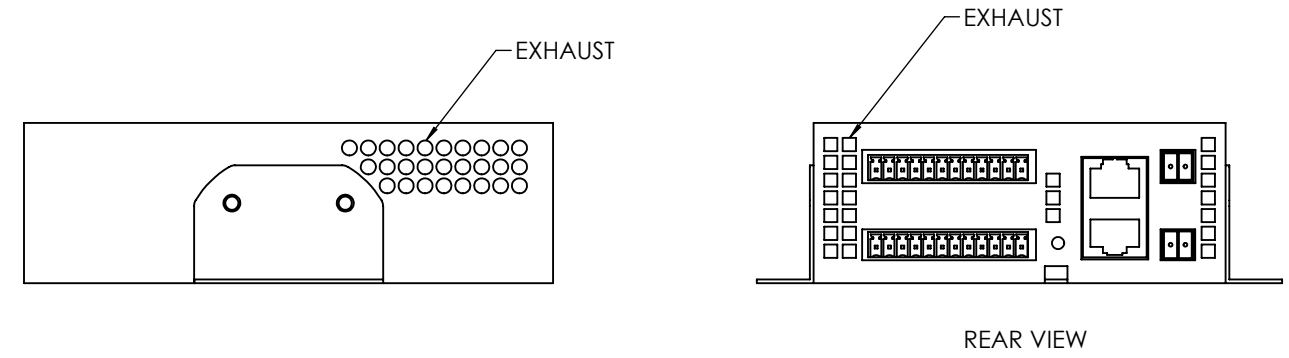
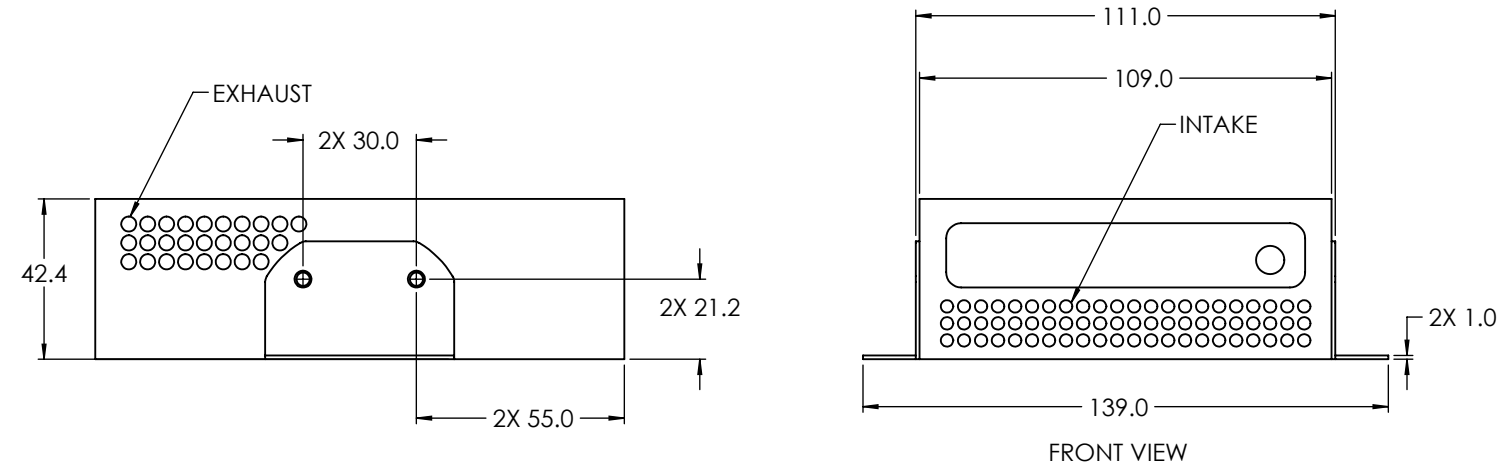


THIS DOCUMENT CONTAINS CONFIDENTIAL OR PROPRIETARY INFORMATION WHICH IS THE PROPERTY OF QSC, LLC THAT MAY NOT BE DISCLOSED, REPRODUCED OR USED WITHOUT EXPRESS WRITTEN CONSENT FROM QSC, LLC. NO PORTION OF THIS DOCUMENT MAY BE REPRODUCED, REDISTRIBUTED, OR OTHERWISE DISCLOSED TO ANY THIRD PARTY WITHOUT QSC'S WRITTEN PERMISSION.

REVISIONS			
REV	DESCRIPTION	BY	DATE
A	INITIAL RELEASE	SS	3-NOV-21

NOTES: UNLESS OTHERWISE SPECIFIED

- NET WEIGHT WITH HARDWARE SHOWN APPROXIMATELY 0.55KG. [1.2 LBS].
- PARTS ARE SYMMETRICAL ABOUT CENTER LINES UNLESS OTHERWISE NOTED.



UNLESS OTHERWISE SPECIFIED DIMENSIONS ARE IN MM [IN] TOLERANCES ARE:		CAD GENERATED DRAWING DO NOT MANUALLY UPDATE		QSC, LLC 1675 MACARTHUR BOULEVARD COSTA MESA, CA 92626 USA	
DECIMALS .X ± 3.0 [.12] .XX ±	ANGLES ±1°	APPROVALS		<b>PROCESSOR, ENDPOINT, S4,          GP8X8, IR1X4, SURFACE          MOUNT</b>	
MATERIAL SEE NOTES	FINISH SEE NOTES	DRAWN BY S. STASIAK MECH ENGINEER		SIZE CAGE CODE DWG. NO. REV B 00PW4 FG-901490-2D-B A	
DO NOT SCALE DRAWING	PROJECTION SYMBOL	TECH DIRECTOR T. GOSSARD		SCALE: 1:2 CAD FILE: FG-901490-2D-B SHEET: 1 OF 1	
		MFG ENGINEER A. FOSTER		Form: QMS100206 Rev D	
		C. WHITNEY			