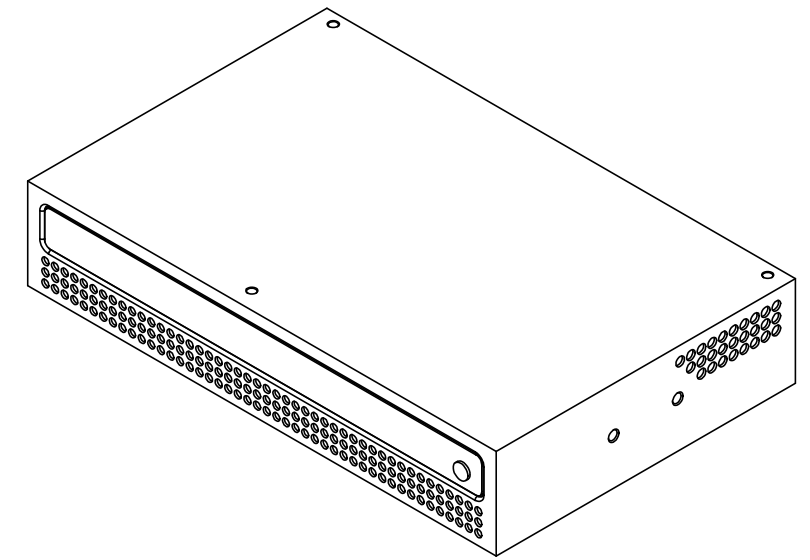
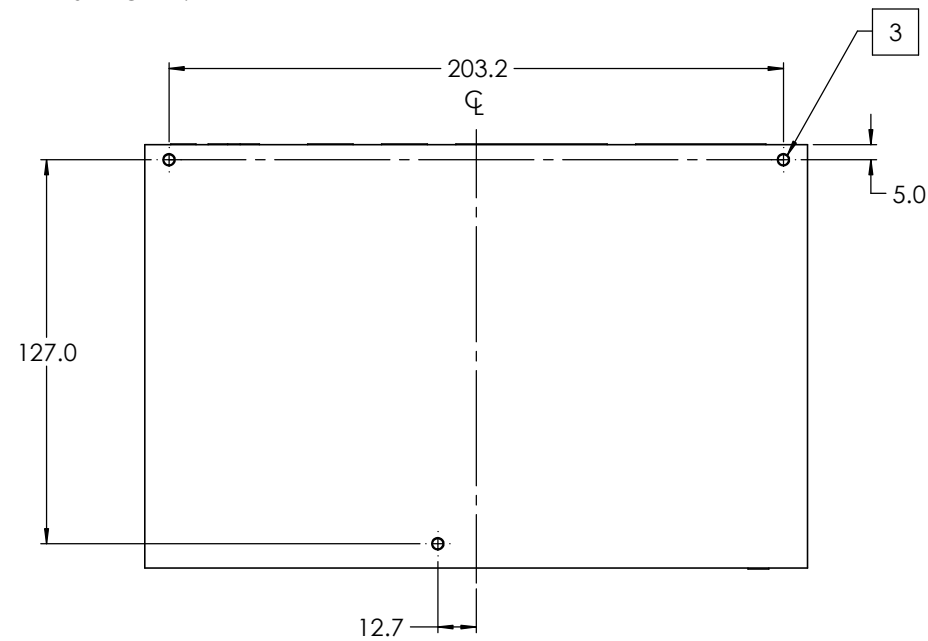
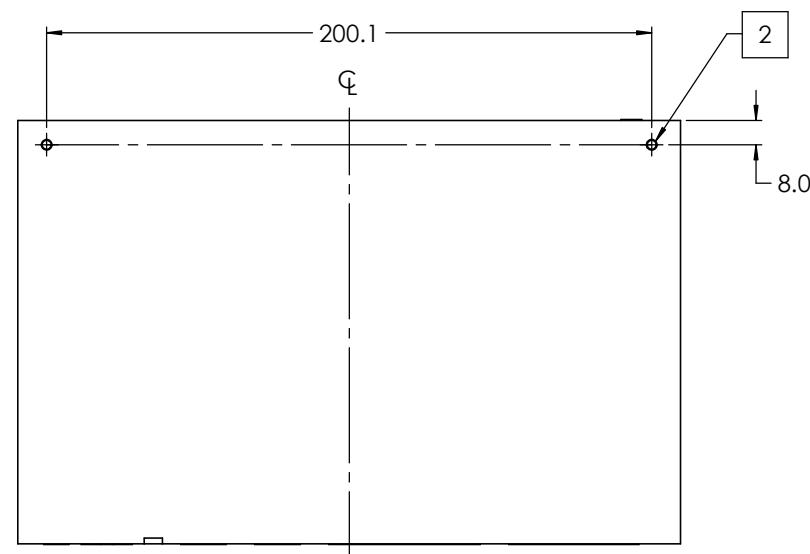
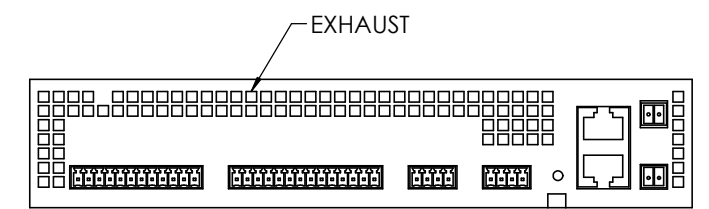
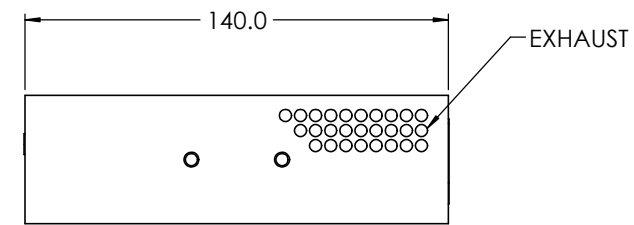
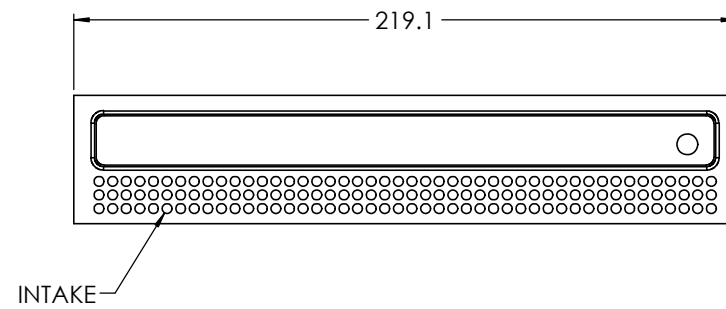
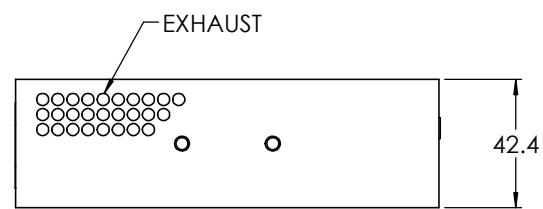


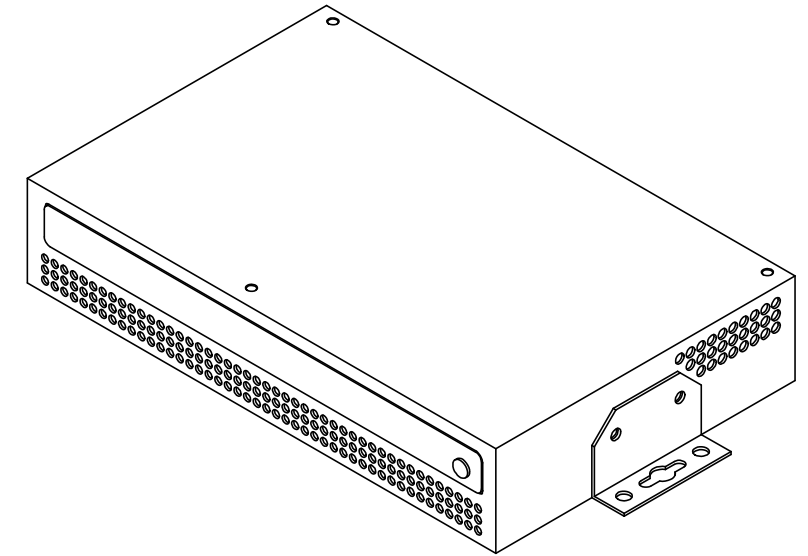
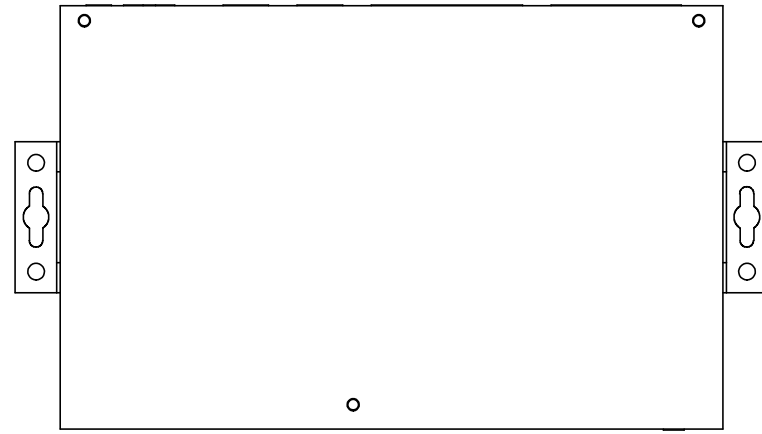
NOTES: UNLESS OTHERWISE SPECIFIED

1. NET WEIGHT APPROX. 1.02 KG [2.25 LBS].
2. M3X0.5 MOUNTING HOLES FOR OPTIONAL MOUNTING TRAY ACCESSORY.
3. #6-32 MOUNTING HOLES FOR USE WITH I/O-11 WITNESS BOX.
4. PARTS ARE SYMMETRICAL ABOUT CENTER LINES UNLESS OTHERWISE NOTED.



FREESTANDING





SURFACE MOUNT

