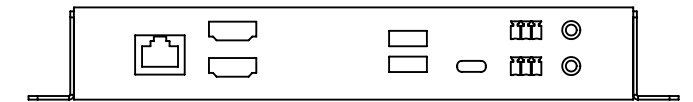
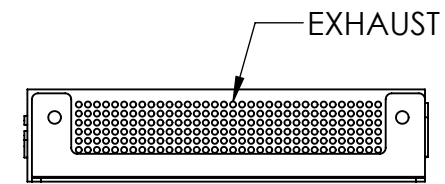
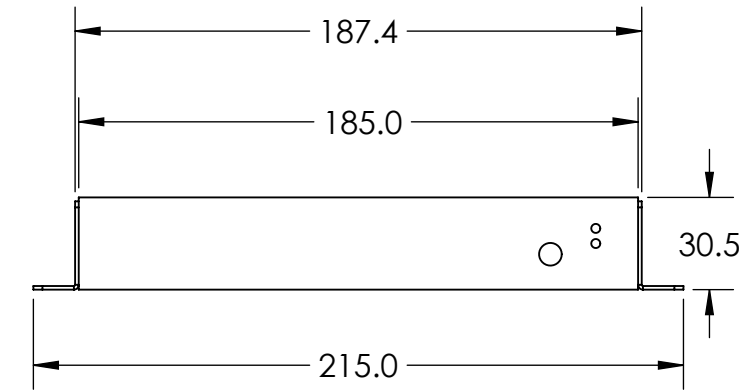
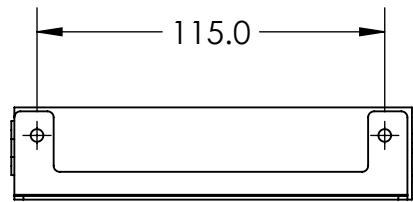
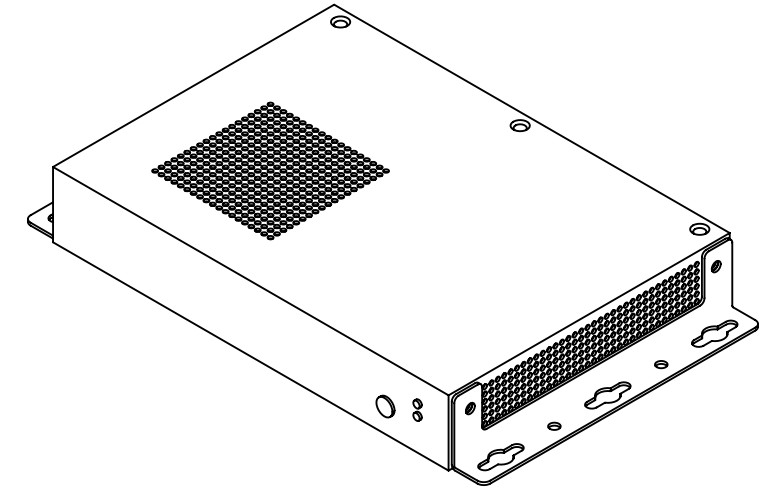
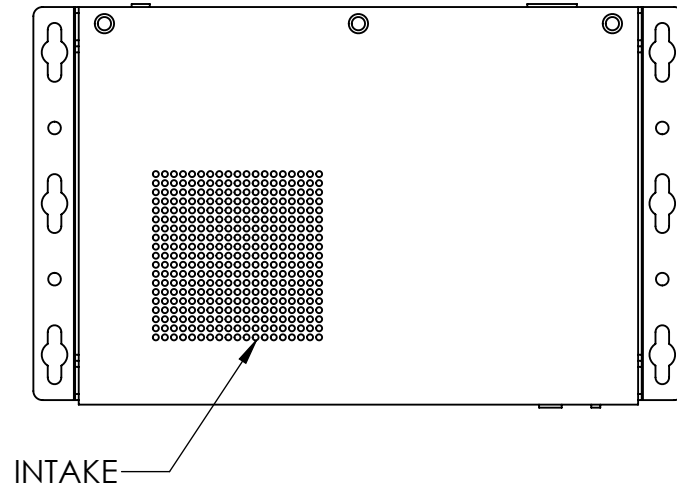
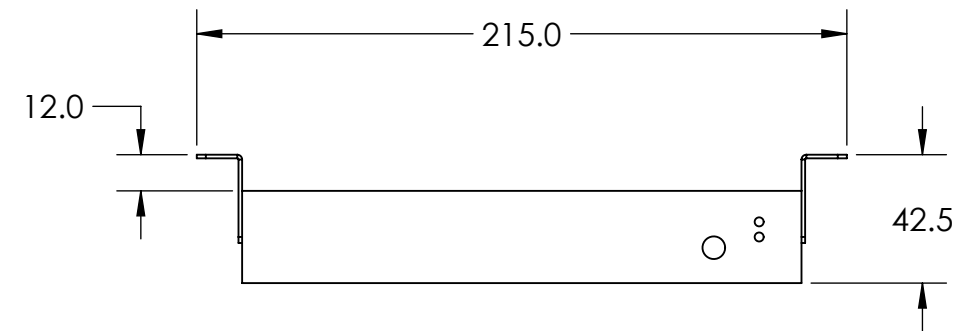
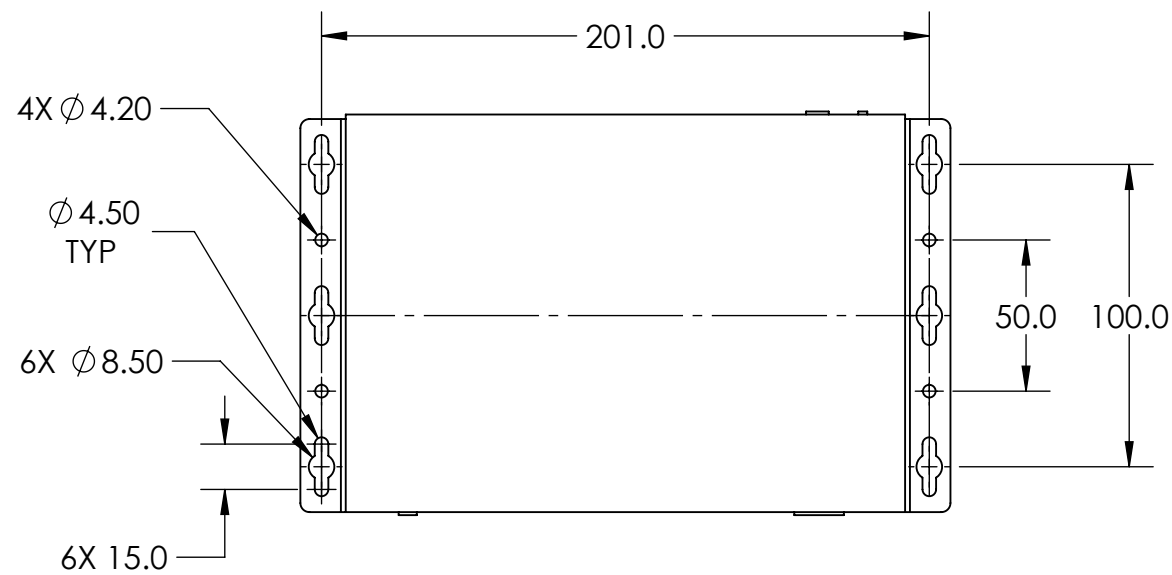


NOTES: UNLESS OTHERWISE SPECIFIED

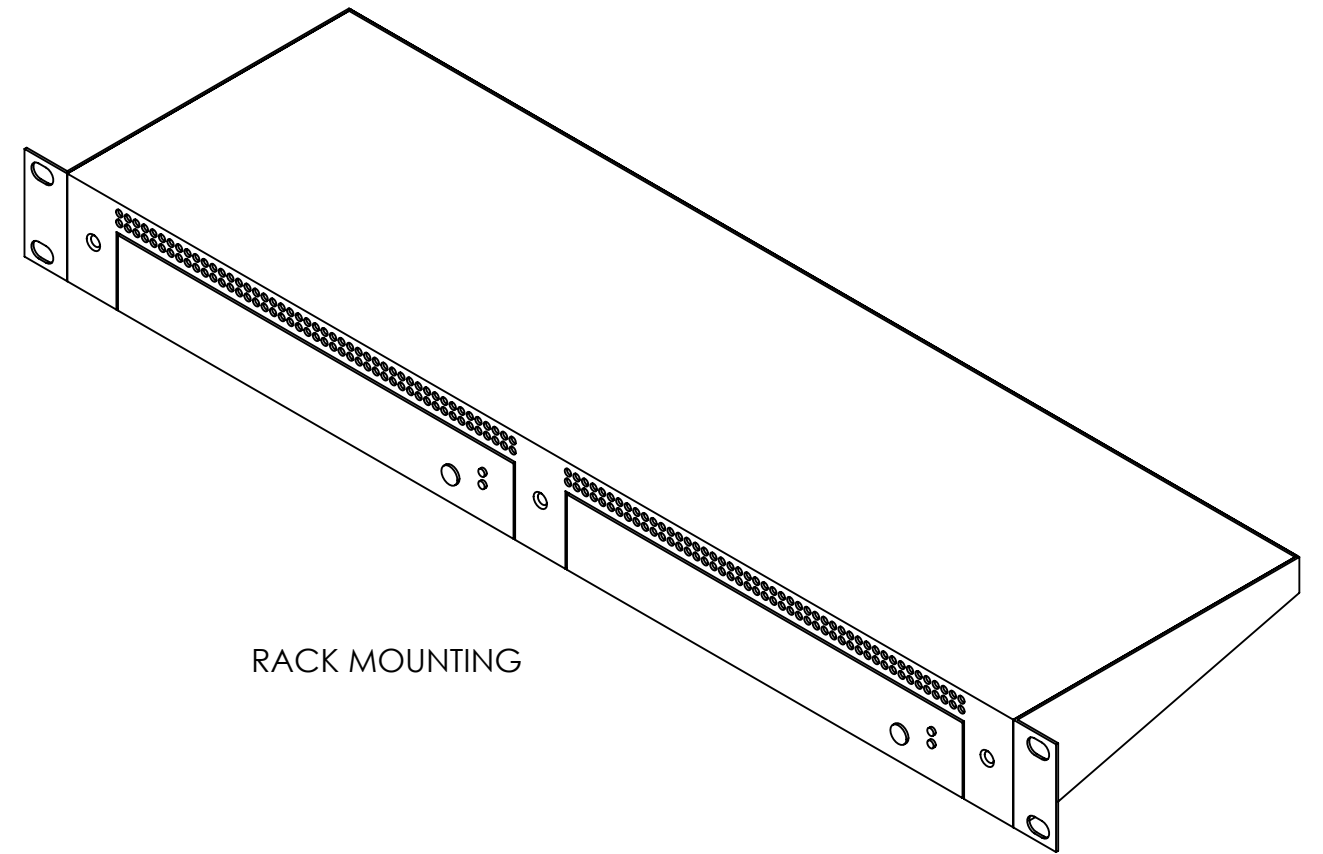
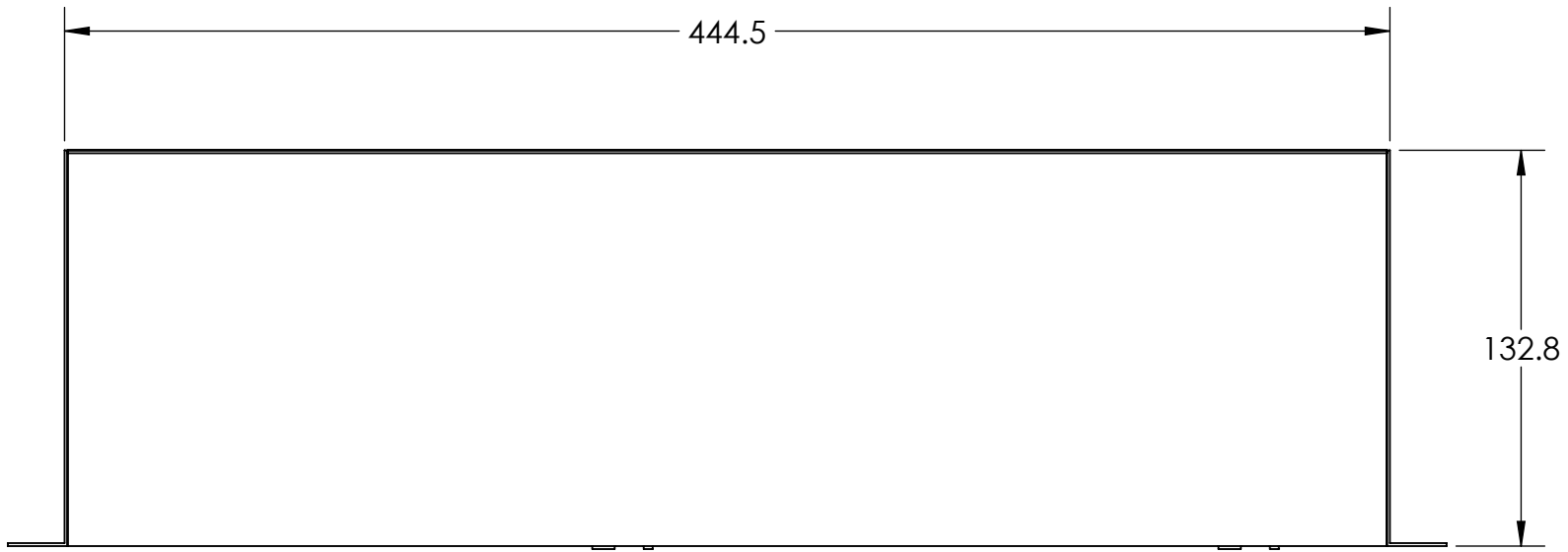
- NET WEIGHT APPROXIMATELY 0.87 KG [1.9 LBS].
- PARTS ARE SYMMETRICAL ABOUT CENTER LINES UNLESS OTHERWISE NOTED.



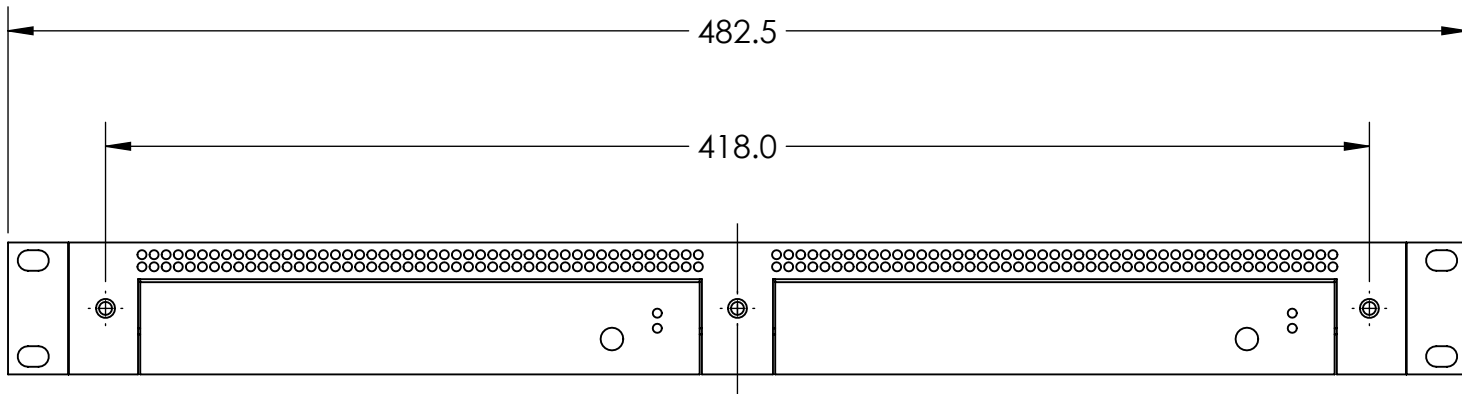
OVER SURFACE MOUNTING



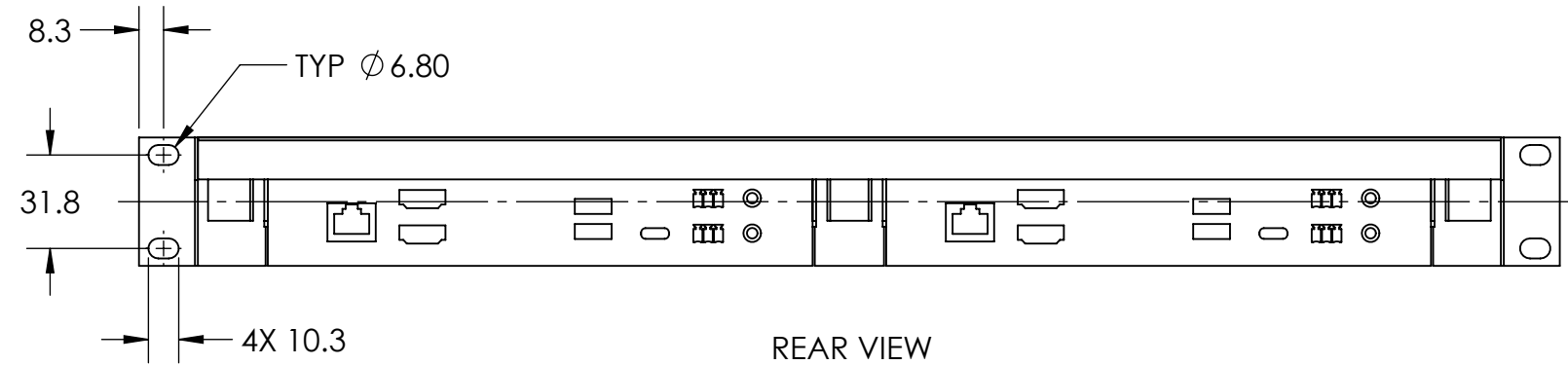
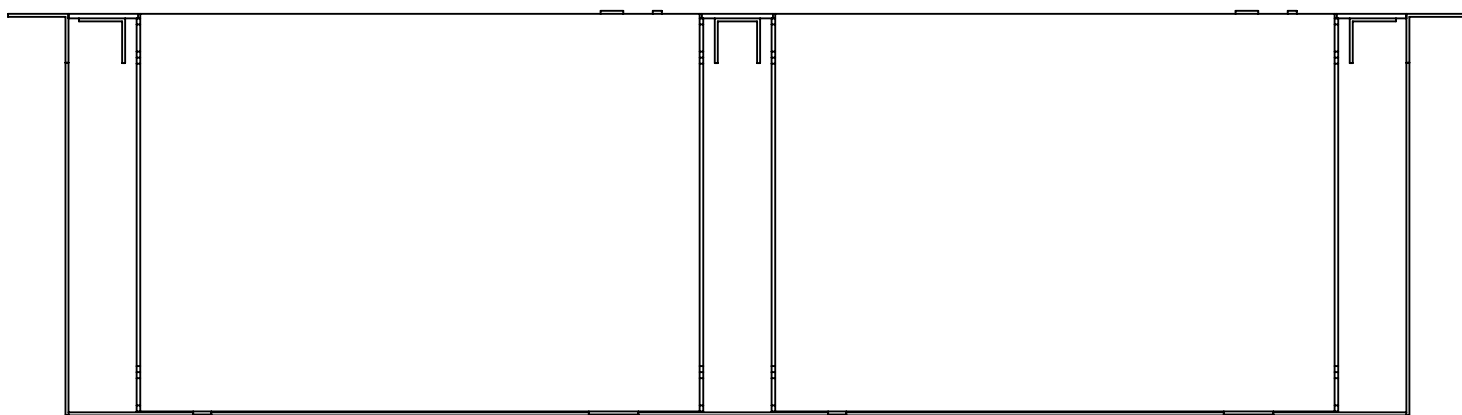
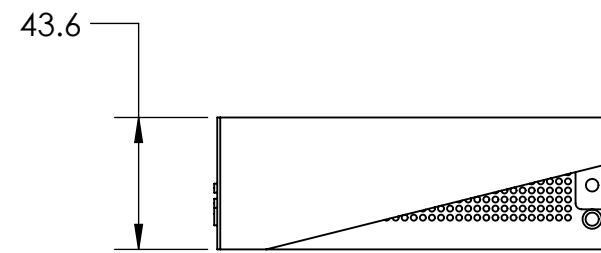
UNDER SURFACE MOUNTING



RACK MOUNTING



FRONT VIEW



REAR VIEW