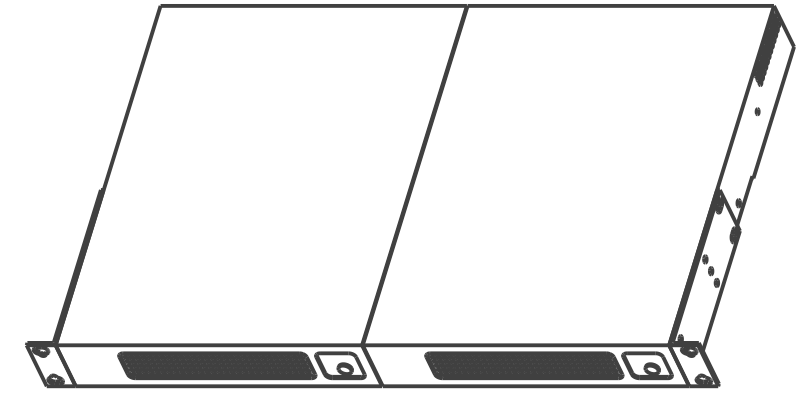


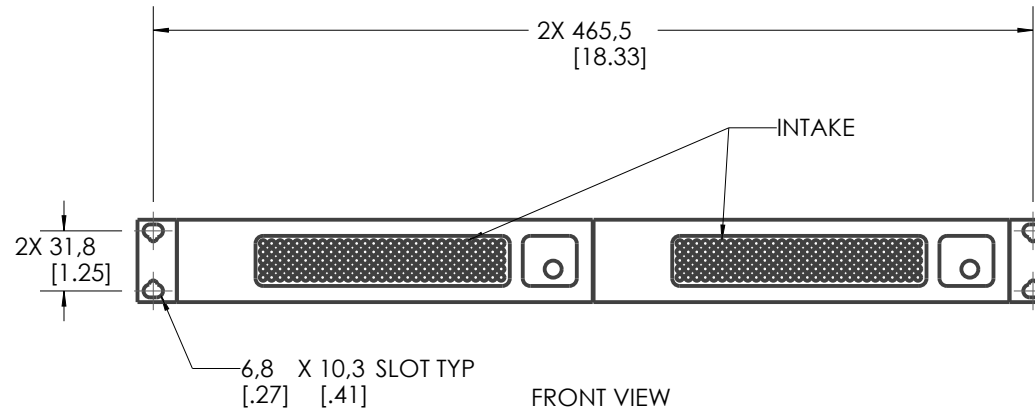
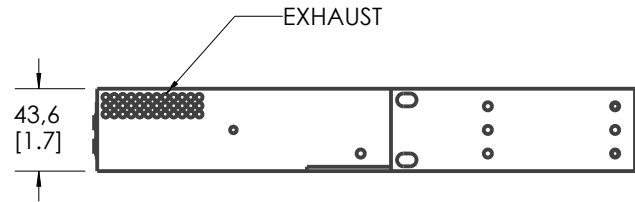
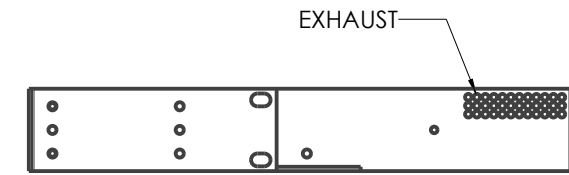
THIS DOCUMENT CONTAINS CONFIDENTIAL OR PROPRIETARY INFORMATION WHICH IS THE PROPERTY OF QSC, LLC, THAT MAY NOT BE DISCLOSED, REPRODUCED OR USED WITHOUT EXPRESS WRITTEN CONSENT FROM QSC, LLC. NO PORTION OF THIS DOCUMENT MAY BE REPRODUCED, REDISTRIBUTED, OR OTHERWISE DISCLOSED TO ANY THIRD PARTY WITHOUT QSC'S WRITTEN PERMISSION.

REVISION			
REV	DESCRIPTION	BY	DATE
A	INITIAL RELEASE	SS	5-OCT-20

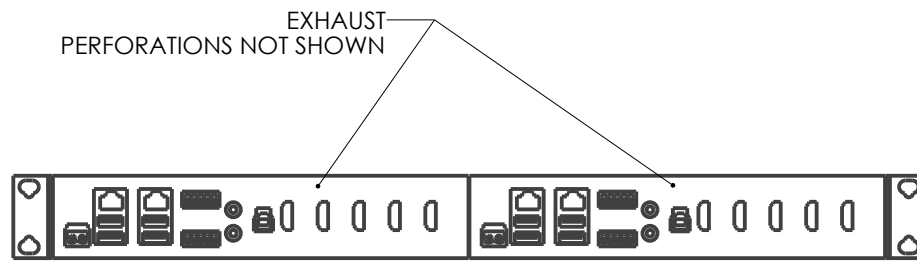
- NOTES: UNLESS OTHERWISE SPECIFIED
- NET WEIGHT WITH HARDWARE SHOWN APPROXIMATELY 4.1 KG. [9.0 LBS.].
 - PARTS ARE SYMMETRICAL ABOUT CENTER LINES UNLESS OTHERWISE NOTED.



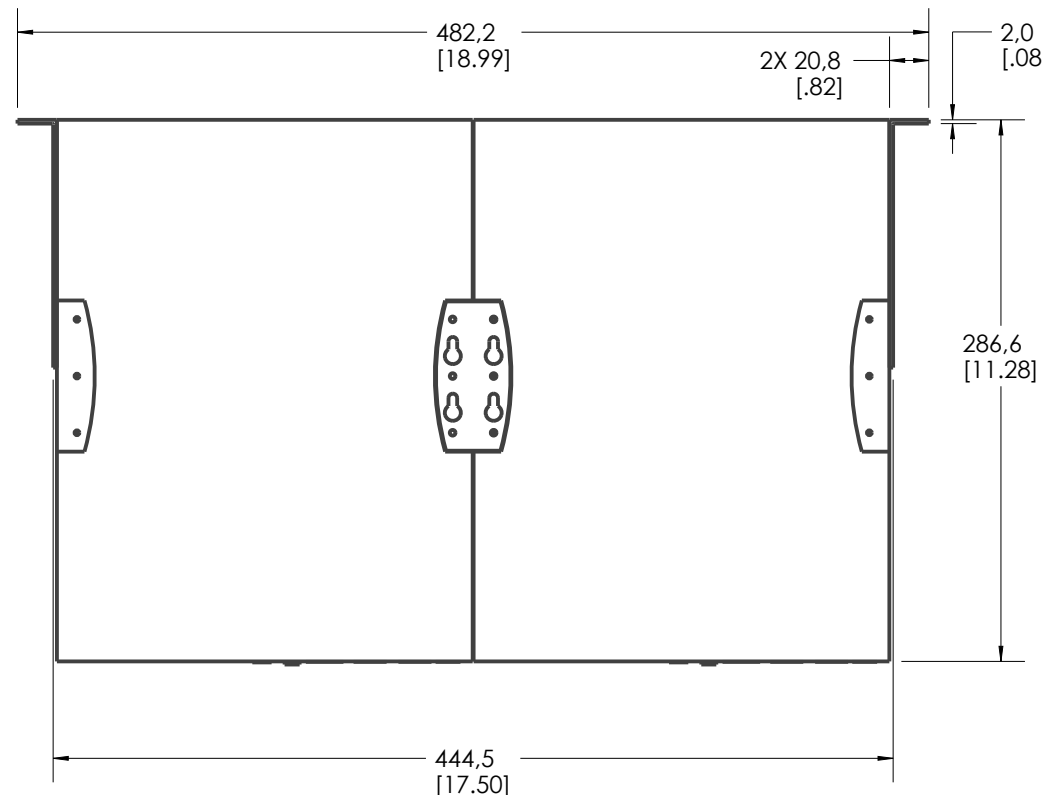
SCALE 1:5



FRONT VIEW



REAR VIEW



BOTTOM VIEW

UNLESS OTHERWISE SPECIFIED DIMENSIONS ARE IN MM [IN]	
TOLERANCES ARE:	
DECIMALS	ANGLES
.X ± 3.0 [1.12]	±1°
.XX ±	
MATERIAL	-
FINISH	-
DO NOT SCALE DRAWING	
PROJECTION SYMBOL	

CAD GENERATED DRAWING DO NOT MANUALLY UPDATE	
APPROVALS	
DRAWN BY	S. STASIAK
MECH ENGINEER	T. GOSSARD
TECH DIRECTOR	L. MERCS
MFG ENGINEER	R. DELAGARZA

QSC QSC, LLC		1675 MACARTHUR BOULEVARD COSTA MESA, CA 92626 USA	
VIDEO, NV-32-H (CORE CAPABLE), NETWORK VIDEO ENDPOINT TANDEM MOUNT, 19-INCH			
SIZE	CAGE CODE	DWG. NO.	REV
B	00PW4	FG-901482-2D-B	A
SCALE: 1:4		CAD FILE: FG-901482-2D-B.A.1	SHEET: 1 OF 1