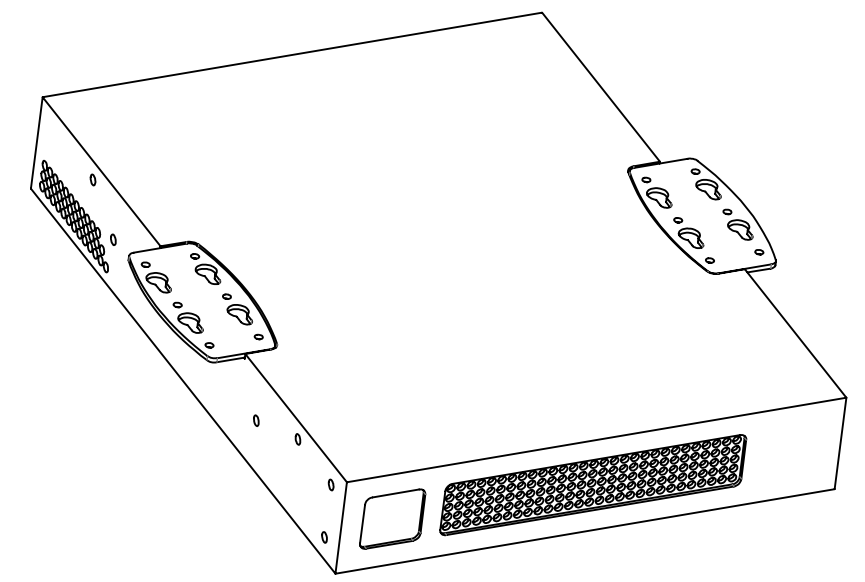
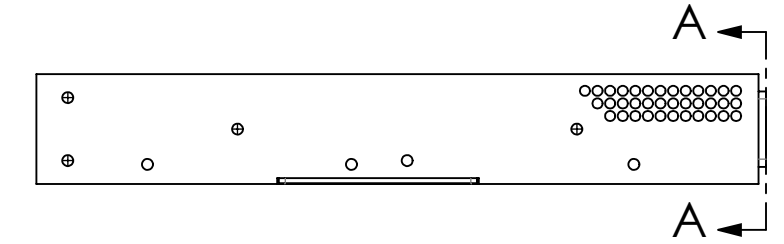
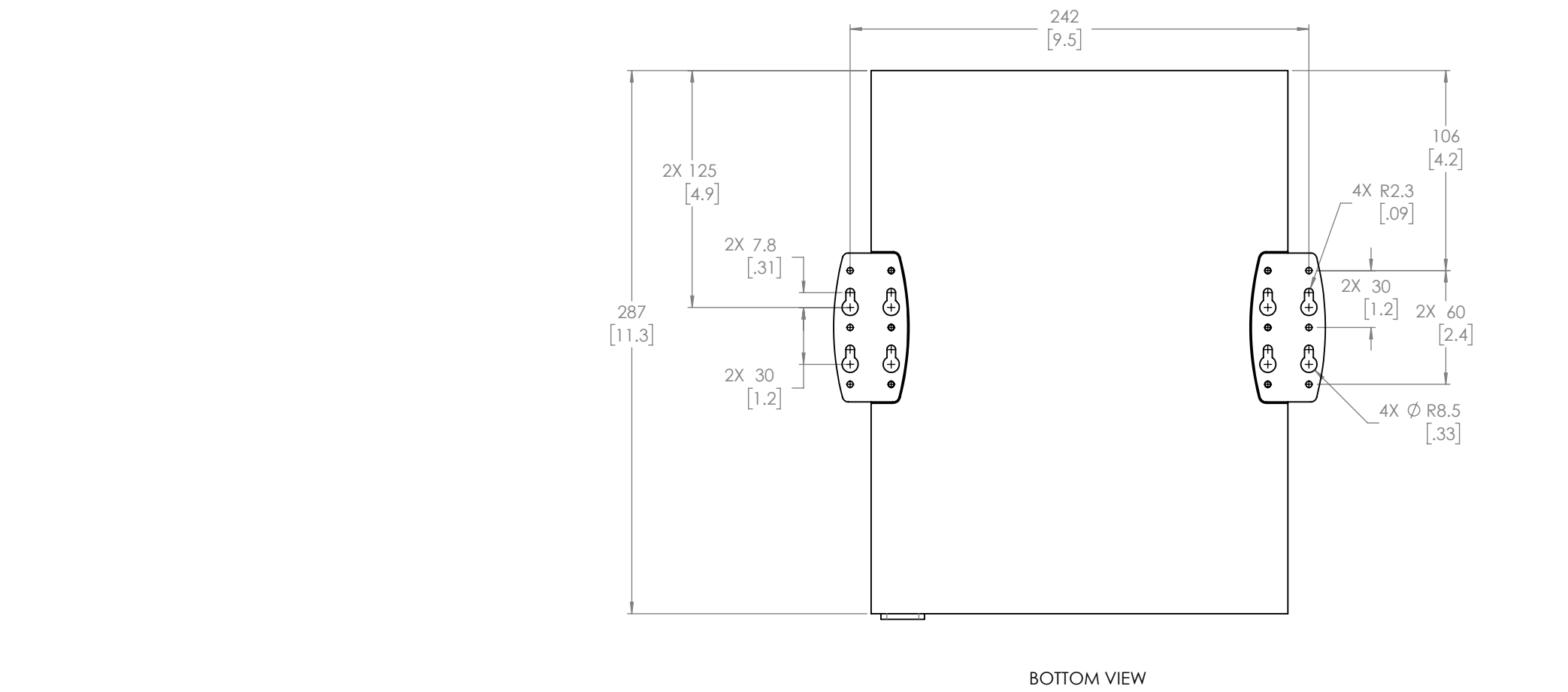
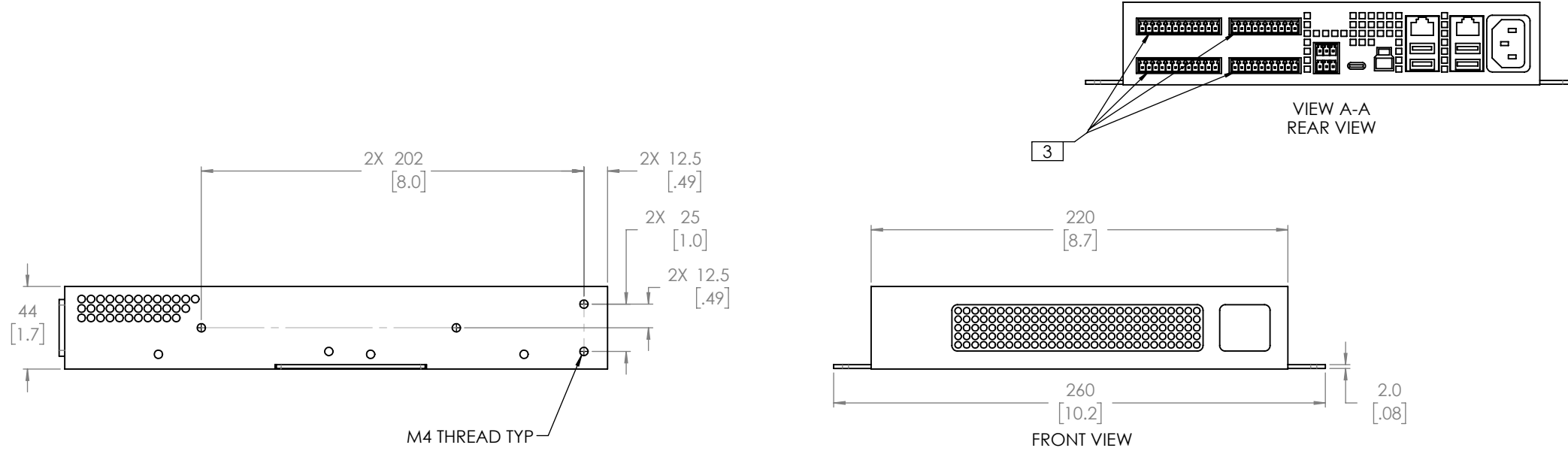


THIS DOCUMENT CONTAINS CONFIDENTIAL OR PROPRIETARY INFORMATION WHICH IS THE PROPERTY OF QSC, LLC THAT MAY NOT BE DISCLOSED, REPRODUCED OR USED WITHOUT EXPRESS WRITTEN CONSENT FROM QSC, LLC. NO PORTION OF THIS DOCUMENT MAY BE REPRODUCED, REDISTRIBUTED, OR OTHERWISE DISCLOSED TO ANY THIRD PARTY WITHOUT QSC'S WRITTEN PERMISSION.

REVISIONS			
REV	DESCRIPTION	BY	DATE
A	RELEASE FOR SALES AND MARKETING	SS	27-JUL-2020

NOTES: UNLESS OTHERWISE SPECIFIED

- NET WEIGHT OF Q-SYS CORE 8 FLEX APPROXIMATELY 1.8 KG [4.0 LBS]. MOUNTING HARDWARE IS ADDITIONAL WEIGHT.
- NET WEIGHT OF Q-SYS CORE NANO APPROXIMATELY 1.6 KG [3.6 LBS]. MOUNTING HARDWARE IS ADDITIONAL WEIGHT.
- AUDIO CONNECTIONS ONLY AVAILABLE ON Q-SYS CORE 8 FLEX PRODUCT.
- CHASSIS DESIGNED TO MEET 1/2 U RACK MOUNT SPECIFICATION IEC60297-3-100.



UNLESS OTHERWISE SPECIFIED DIMENSIONS ARE IN MM [IN] TOLERANCES ARE:		CAD GENERATED DRAWING DO NOT MANUALLY UPDATE		QSC QSC, LLC 1675 MACARTHUR BOULEVARD COSTA MESA, CA 92626 USA	
DECIMALS: X ± 3 ± [1.2] .X ± 1 [0.4]		APPROVALS		Q-SYS CORE 8 FLEX/ CORE NANO, SURFACE MOUNT	
ANGLES: ± 1°		DRAWN BY: S. STASIAK		SIZE: B CAGE CODE: 00PW4 DWG. NO.: FG-901462-2D-D REV: A	
MATERIAL: SEE NOTES		MECH ENGINEER: T. GOSSARD		SCALE: 1:3 CAD FILE: FG-901462-2D-D SHEET: 1 OF 1	
FINISH: SEE NOTES		TECH DIRECTOR: D. HOCH			
DO NOT SCALE DRAWING		MFG ENGINEER: T. MORGAN			
PROJECTION SYMBOL:					