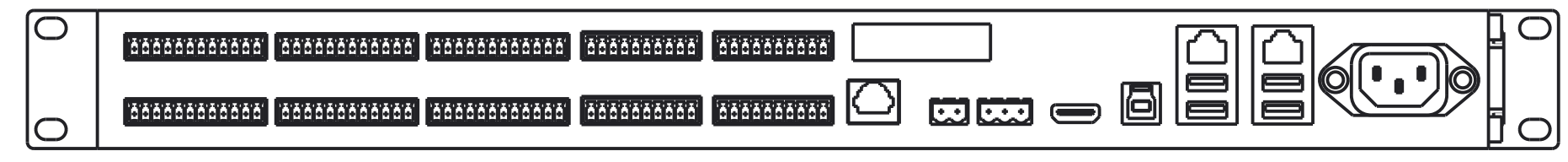
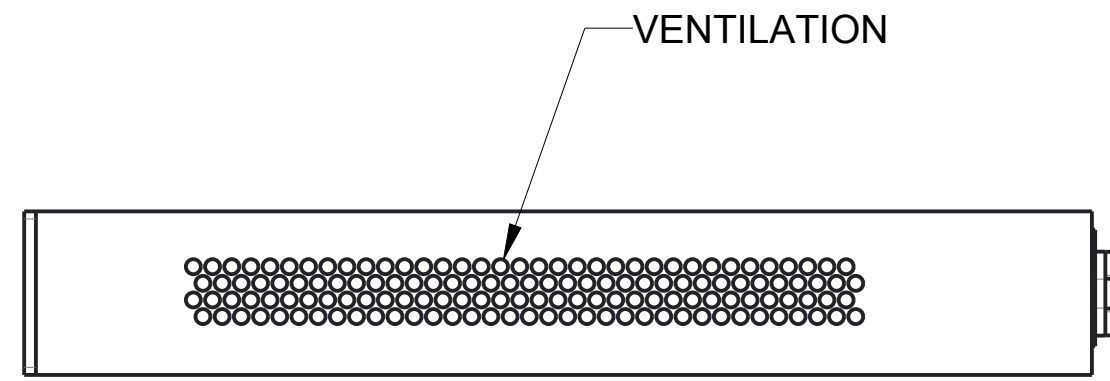
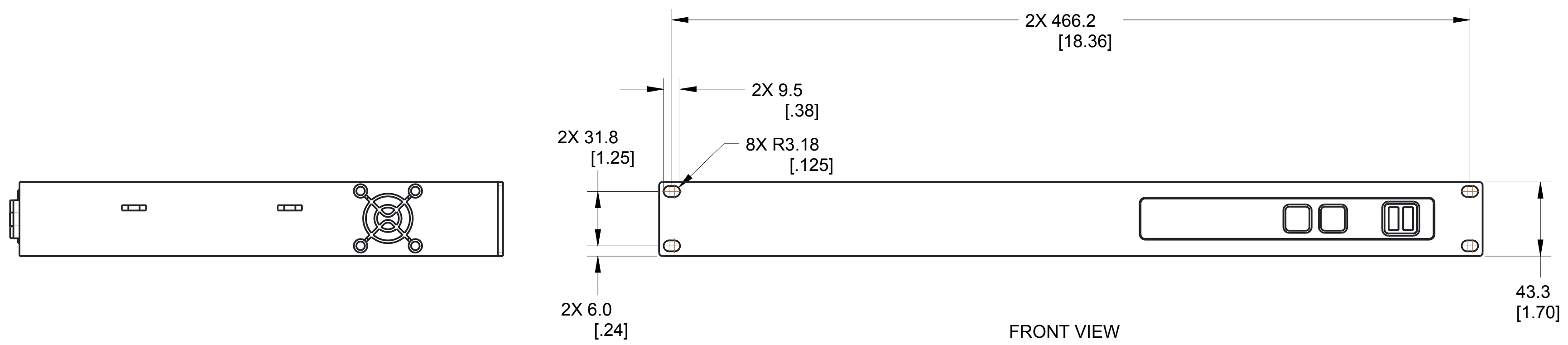
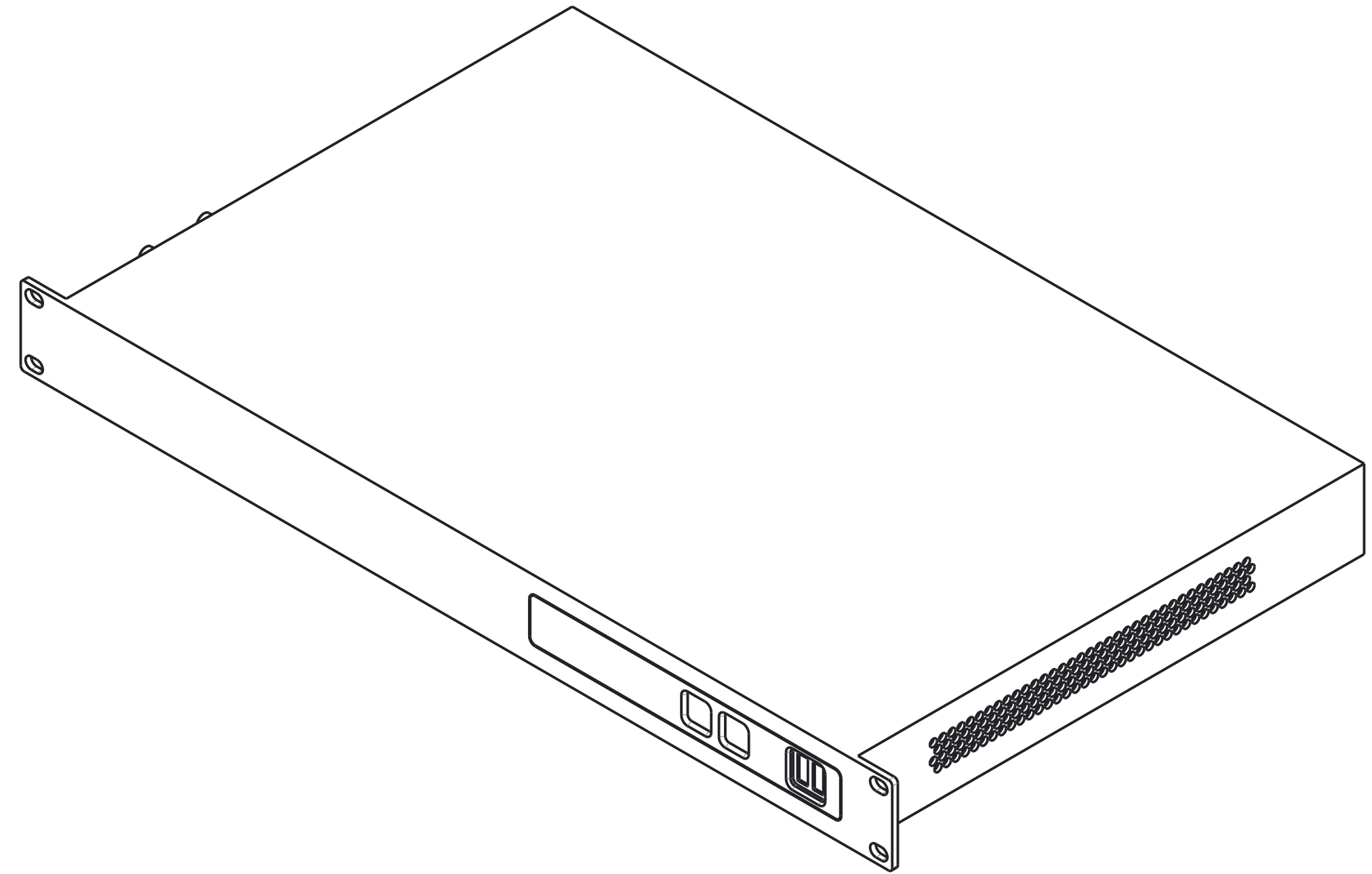
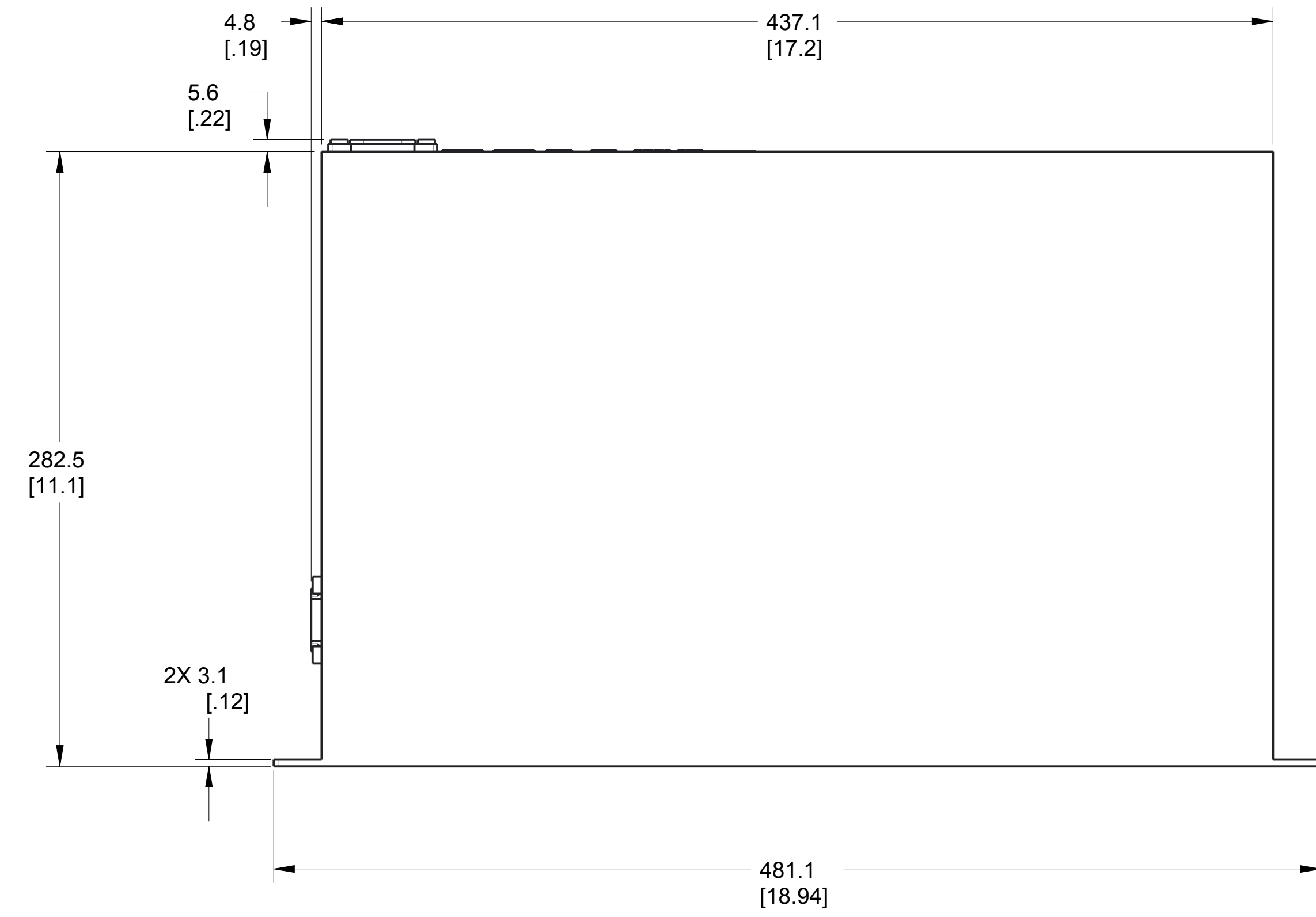


THIS DOCUMENT CONTAINS PROPRIETARY INFORMATION WHICH IS THE PROPERTY OF QSC, LLC. THAT MAY NOT BE DISCLOSED, REPRODUCED OR USED WITHOUT EXPRESS WRITTEN CONSENT FROM QSC, LLC.

REVISIONS			
REV	DESCRIPTION	BY	DATE
A	RELEASE FOR SALES AND MARKETING	ES	01-OCT-15



- 3. DIMENSIONS ARE IN MILLIMETER [INCH].
 - 2. TOLERANCES (MM): X ± 3, ANGLE: ± 1
 - 1. NET WEIGHT APPROXIMATELY 5.0 KG [11.0 LBS].
- NOTES: UNLESS OTHERWISE SPECIFIED.

UNLESS OTHERWISE SPECIFIED, DIMENSIONS IN MILLIMETERS (IN) TOLERANCES ARE: DECIMALS DECIMALS ANGLES X± .5(.02) XX± .25(.01) ± 1/2 DEBURR EDGES .25 [.010] R MAX	DESIGNER ENG. SERVICES	QSC QSC, LLC 1675 MACARTHUR BOULEVARD COSTA MESA, CA 92626
	ENGINEER	
MATERIAL	TECHNICAL DIRECTOR	Q-SYS, FINISHED H001
FINISH	MANUFACTURING ENGINEER	
DRAWING INFO: FG-118041-2D.A.1		SIZE: D
MODEL INFO: FG-118041-3D.A.1		CAGE CODE: 00PW4
SCALE: 0.500		DRAWING NO.: FG-118041-2D
DO NOT SCALE DRAWING		REV: A
SHEET		1 OF 1