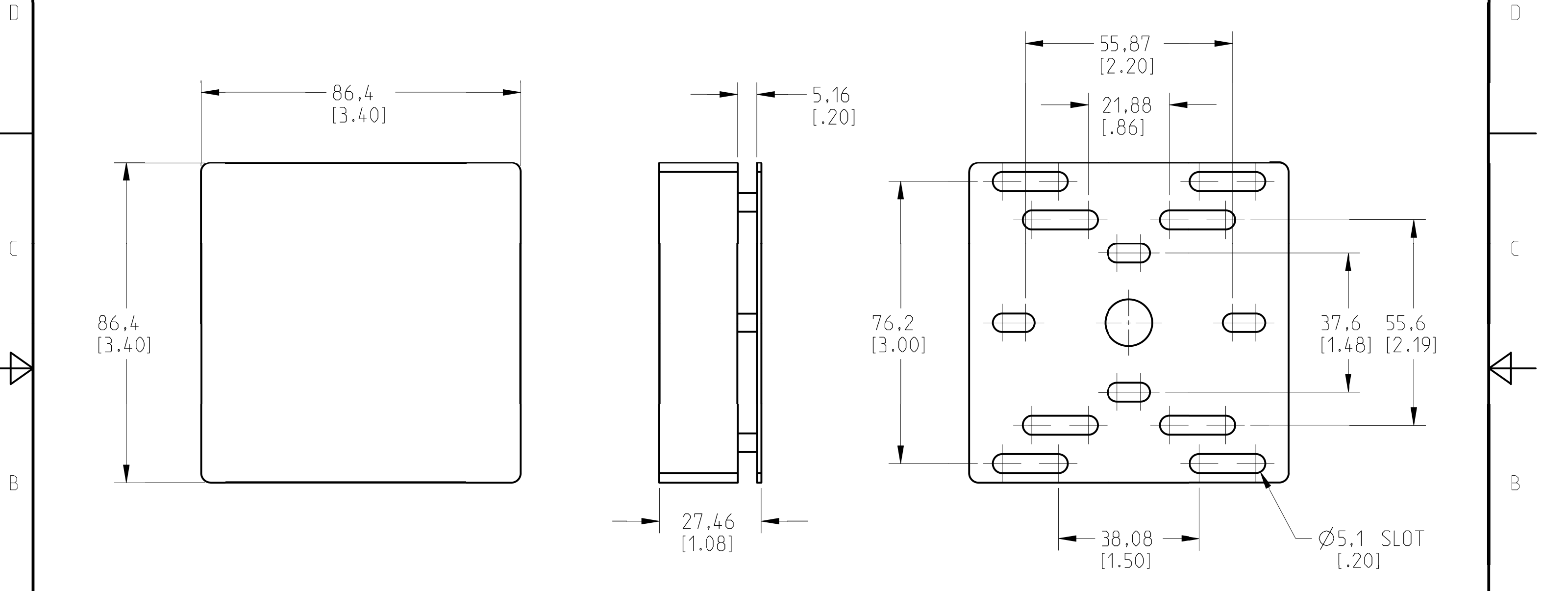


In Work

THIS DOCUMENT CONTAINS PROPRIETARY INFORMATION WHICH IS THE PROPERTY OF QSC AUDIO PRODUCTS, THAT MAY NOT BE DISCLOSED, REPRODUCED OR USED WITHOUT EXPRESS WRITTEN CONSENT FROM QSC AUDIO PRODUCTS.

REVISIONS					
REV	ECO	DESCRIPTION	BY	EFF DATE	ISSUED
A	N/A	RELEASE FOR SALES AND MARKETING	VU		



1. NET WEIGHT APPROX: 0.09 KG [0.20 LBS]  
 NOTES: UNLESS OTHERWISE SPECIFIED

UNLESS OTHERWISE SPECIFIED DIMENSIONS IN MILLIMETERS (IN)  
 TOLERANCES ARE:  
 DECIMALS .X±.5[.02]    DECIMALS .XX±.25[.010]    ANGLES ± 1/2  
 DEBURR EDGES .25 [.010] R MAX

MATERIAL	X
FINISH	

APPROVALS	DATE (DD-MMM-YY)
DRAWN V. VU	22-MAY-14
CHECKED	
MFG ENG	
QA CHECK	

**QSC** QSC AUDIO PRODUCTS, LLC  
 1675 MACARTHUR BOULEVARD  
 COSTA MESA, CA 92626

ACCESSORY, Q-SYS PTL-1, 70V

SIZE	CAGE CODE	DRAWING NO.	REV
B	00PW 4	FG-121000-2D	A

DRAWING INFO: FG-121000-2D.A.1  
 MODEL INFO: FG-121000-3D.A.0  
 SCALE: 1.000 DO NOT SCALE DRAWING SHEET 1 OF 1