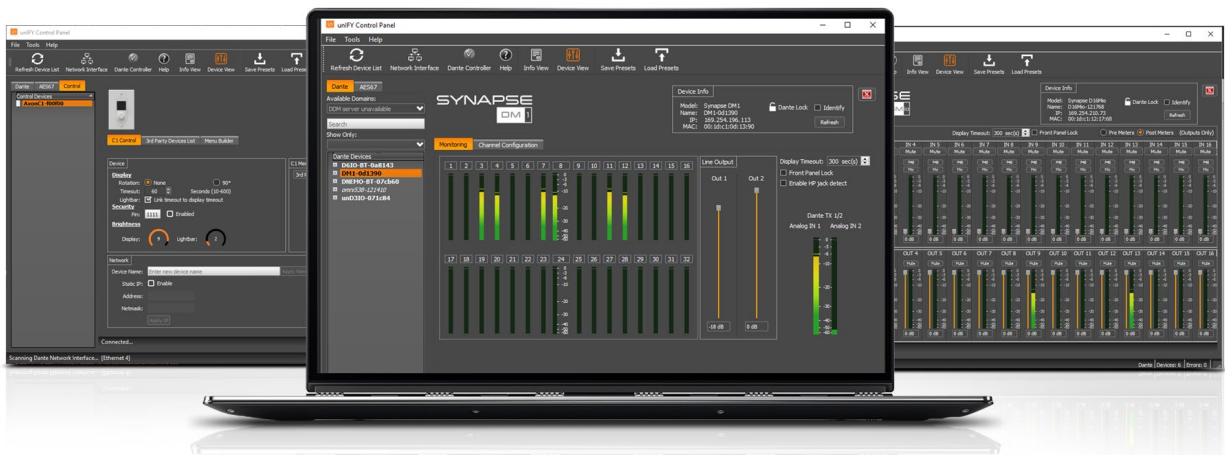




unIFY Control Panel

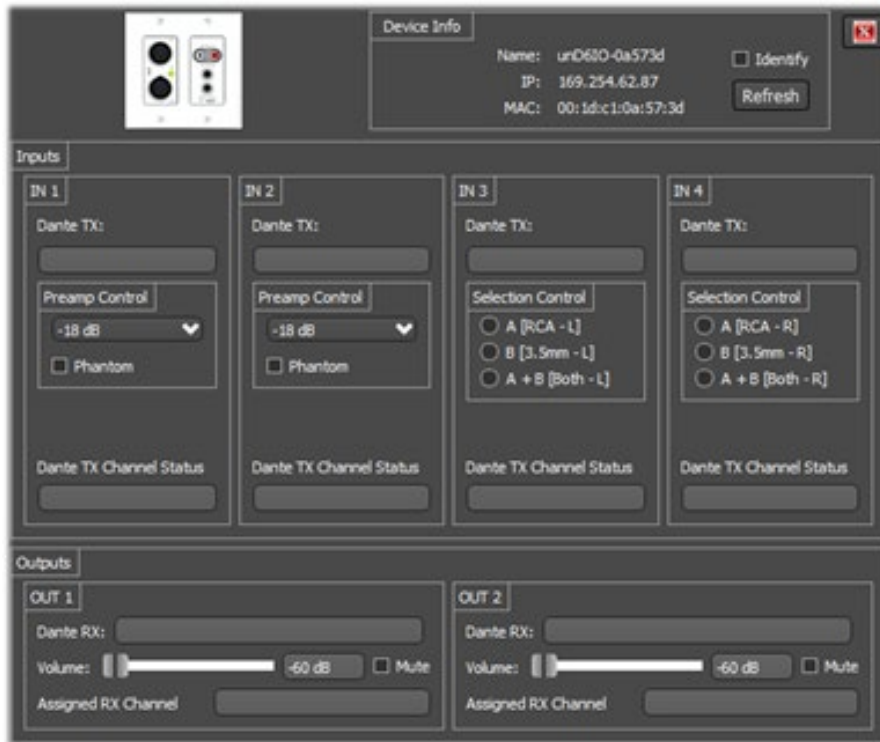
unD6IO Configuration



QSC, LLC • 1675 MacArthur Boulevard • Costa Mesa, CA 92626
Ph: 800/854-4079 or 714/957-7100 • Fax: 714/754-6174

© 2020 QSC, LLC all rights reserved. QSC and the QSC logo are registered trademarks of QSC, LLC in the U.S. Patent and Trademark office and other countries. All other trademarks are the property of their respective owners. Patents may apply or be pending.

www.qsc.com

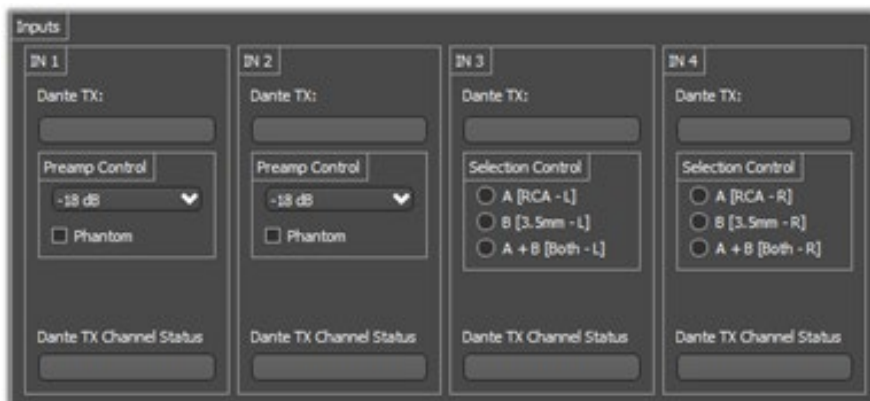


The configuration software for the unD6IO is organized into the following key sections:

- Inputs
- Outputs

**Note:* Any changes made to device settings will only persist until power is cycled on the device. To retain the settings, they must be stored to Preset 0 using the Save Presets feature within unIFY Control Panel.

Inputs



Dante™ TX Channel Name

This text field reports the Dante™ transmit channel name shown on the Dante™ network for corresponding analog input channels.

**Note:* This field is non-editable. To edit the channel names, use the device list view control or us Dante™ Controller.

Pre-amp Control

The pre-amp Control section allows the user to adjust the microphone pre-amp gain settings and phantom power states for the corresponding inputs.

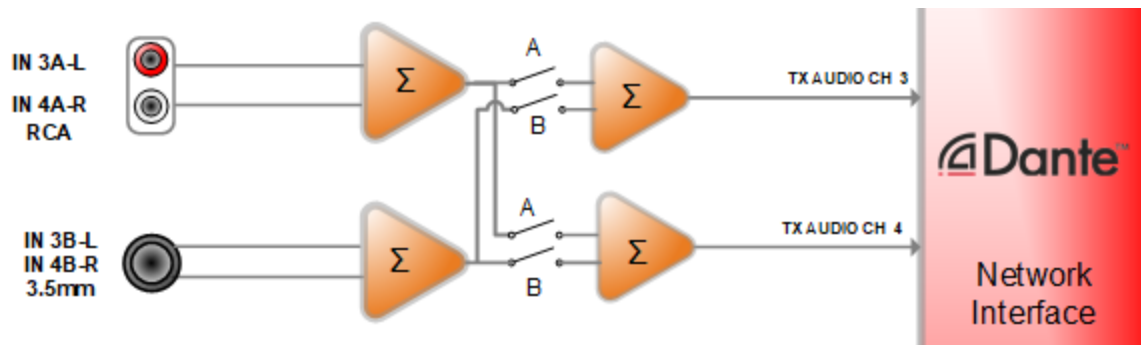
Input Select Control

The unD6IO features an input selection option for the line level analog inputs routed to Dante™ transmitter channels 3 and 4. to select the active input, click on the desired radio button in the Input Selection control.

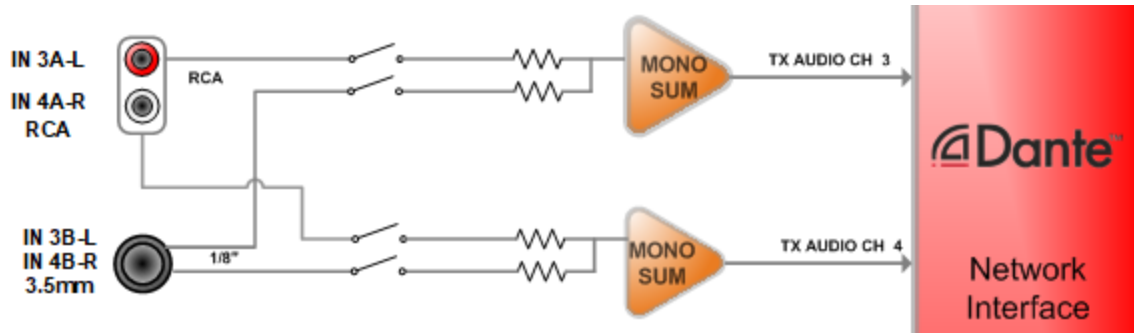
The selectable options are:

- Input A (RCA Input)
- Input B (3.5mm TRS input)
- A+B (Sum of both inputs A and B)

New units (serial# 19052001-001 or later) mono mix the unbalanced inputs and the input select allows a choice of which mono-mix comes out each Dante channel (see below).



Older units prior to serial# 19052001-001 retain the stereo imagery so the input select for channel 3 selects which "Left" audio is selected for Dante channel 3 while input select for channel 4 selects which "Right" audio is selected Dante channel 4 (see below).



Dante™ TX Channel Status

This text field reports the number of active Dante™ receive devices for the corresponding transmitter channel. If no devices are subscribed to the transmitter channel the text field will report None.

**Note: This is a read-only field and any channel routing configuration must be performed within Dante™ Controller*

Outputs



Dante™ RX Channel Name

This text field reports the Dante™ receive channel name shown on the Dante™ network for corresponding analog output channels.

**Note: This field is non-editable. To edit the channel names, use the device list view control or use Dante™ Controller.*

Output Volume/Mute Control

The unD6IO features volume and mute controls on the outputs. To adjust the output volume, drag the slider controls or directly enter the desired volume setting in the volume text box. The valid volume range is -60dB to 0dB in 1dB steps.

To mute the outputs, click on the Mute checkbox.



RX Channel Assignment

This text field reports the currently assigned Dante™ transmit channel to the corresponding receive channel. If no channel is assigned, the text field will report *None*.

****Note:** This field is non-editable. To edit the channel names, use the device list view control or use Dante™ Controller.*