



# unIFY Control Panel

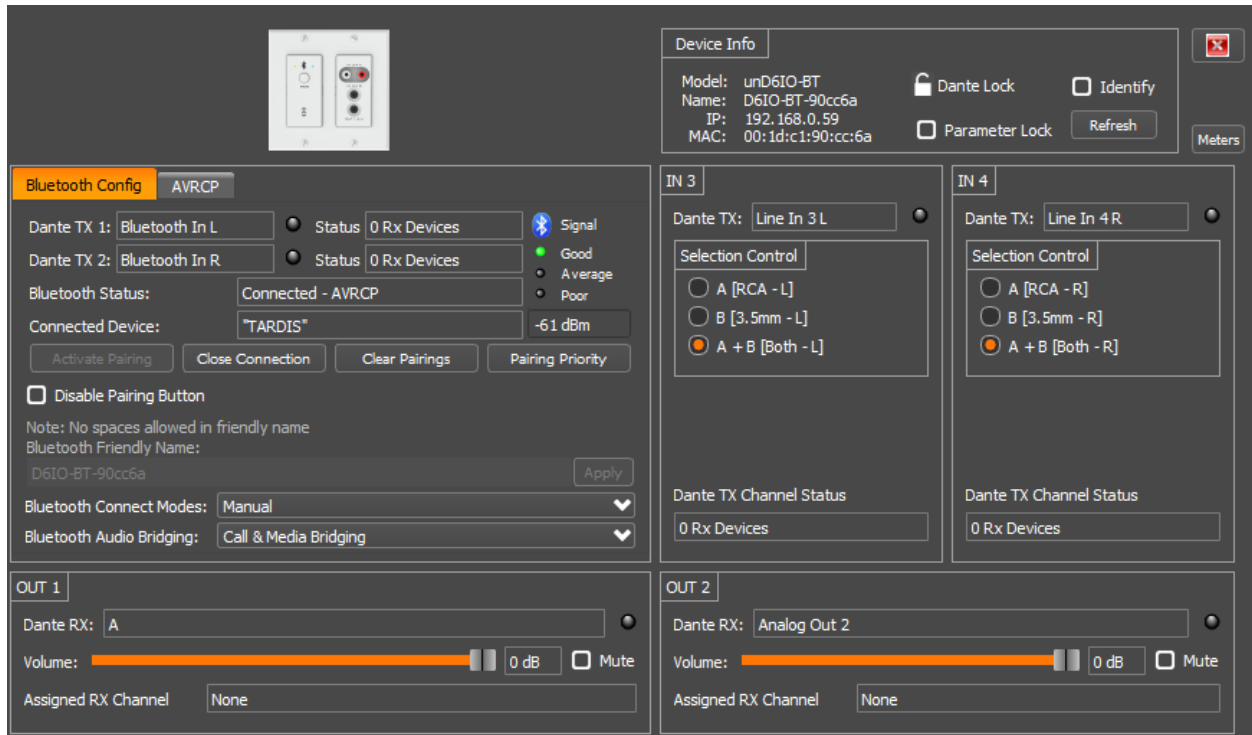
## unD6IO-BT Configuration



QSC, LLC • 1675 MacArthur Boulevard • Costa Mesa, CA 92626  
Ph: 800/854-4079 or 714/957-7100 • Fax: 714/754-6174

© 2020 QSC, LLC all rights reserved. QSC and the QSC logo are registered trademarks of QSC, LLC in the U.S. Patent and Trademark office and other countries. All other trademarks are the property of their respective owners. Patents may apply or be pending.

[www.qsc.com](http://www.qsc.com)

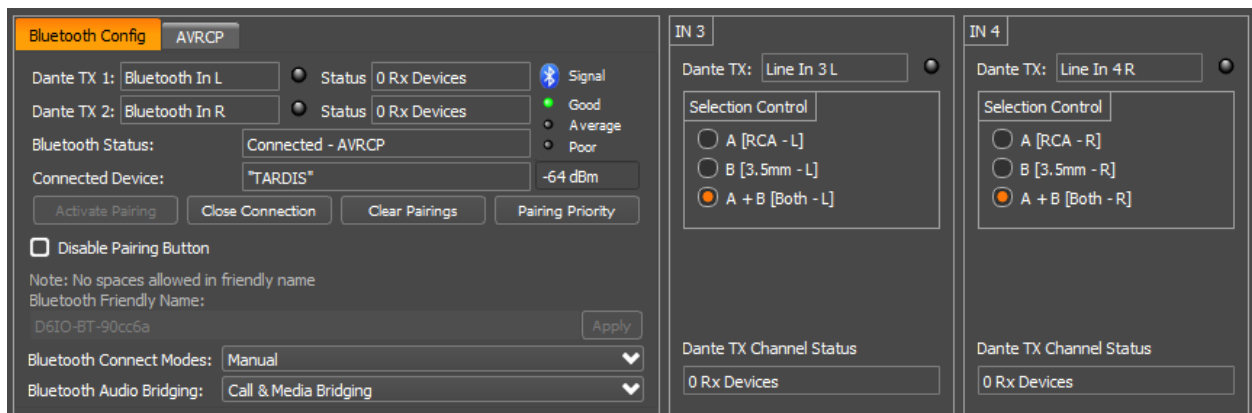


The configuration software for the unD6IO-BT is organized into the following key sections:

- Inputs
- Outputs

**\*Note:** Any changes made to device settings will only persist until power is cycled on the device. To retain the settings, they must be stored to Preset 0 using the Save Presets feature within unIFY Control Panel.

## Inputs





## Dante™ TX Channel Name

This text field reports the Dante™ transmit channel name shown on the Dante™ network for corresponding Bluetooth® receiver input channels.

*\*Note: This field is non-editable. To edit the channel names, use the device list view control or use Dante™ Controller.*

## Status

This field reports the Bluetooth® interface status. The possible states are “Idle”, “Discoverable” and “Connected”. Changes to the device’s Bluetooth® related parameters are disabled in all states except the “Idle” state.

## Signal

This is a reporting status that gives the Bluetooth® signal strength which the unD6IO-BT is receiving from the device which it is connected. The status is reporting live when the plug-in is open and has a Bluetooth® connection; reporting “Good”, “Average”, and “poor”.

## Connected Device

This field reports the name of the connected Bluetooth® device.

## Activate Pairing

This function activates pairing mode on the device similar to pressing the front panel button.

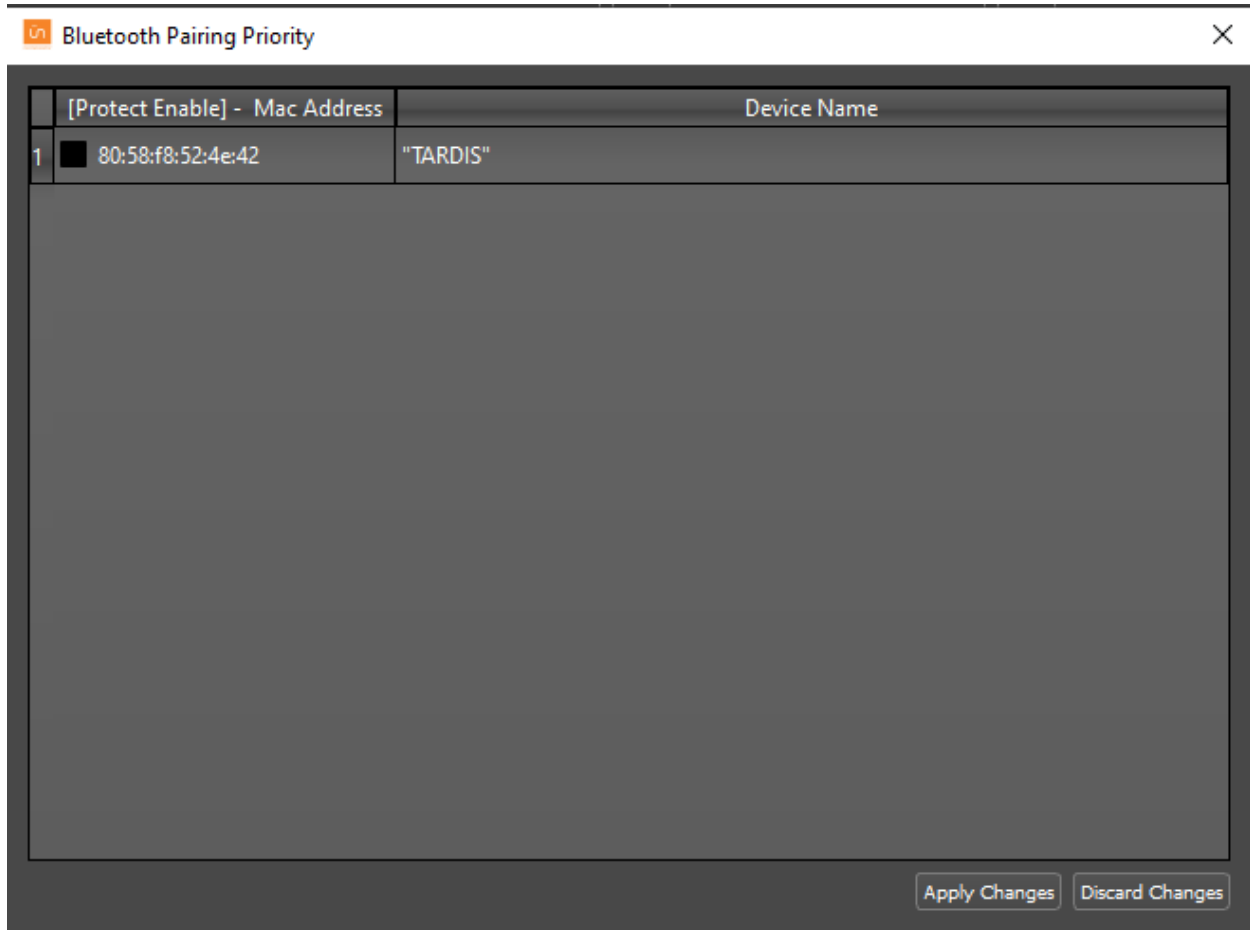
## Close Connection

This function remotely closes the active Bluetooth® connection and function is only active when the Bluetooth® status is "Connected".

## Clear Pairings

This function clears the actively paired devices in the pairing list. This is generally not required but may help in resolving any connectivity issues that users experience.

## Pairing Priority



	[Protect Enable] - Mac Address	Device Name
1	<input checked="" type="checkbox"/> 80:58:f8:52:4e:42	"TARDIS"

This allows the user to identify devices which have paired to the unD6IO-BT and establish priority devices with the device. A priority paired device is one that will be retained in the unD6IO-BT's pairing list and not dropped should the paired devices exceed the pairing list capacity; the oldest paired device that are not priority will be removed first.

Select Pairing Priority and select the checkbox for those devices that priority pairing is desired. After selecting devices, either select Apply Changes to configure the unD6IO-BT, or select Discard Changes to leave the Pairing Priority selection window without saving the changes.

## Disable Pairing Button

This checkbox allows the installer to lock out the front panel pairing functionality for applications that require restricted access to the audio system.

## Bluetooth® Friendly Name

The Name field allows the installer to configure an appropriate Bluetooth® friendly name that will be visible to users on their Bluetooth® equipped devices when attempting to connect. This allows for multiple unD6IO-BT devices to be placed in close proximity and still provide clarity to users trying to connect to a particular unD6IO-BT device and audio system.



## Bluetooth® Connect Modes

### Manual Mode

This usage model is intended for applications where casual users of a public venue (sports bar, spa, stadium luxury box, fitness center) have access to connect their devices to the audio system but headaches are minimized by eliminating automatic reconnect and pairing history features.

In this mode, users connect their Bluetooth® audio enabled smart device by simply pressing the front panel PAIR button. The blue Bluetooth® status LED will begin flashing to indicate that the unD6IO-BT is now visible to other Bluetooth® devices and accepting pairings. This pairing period lasts 30 seconds after which the status LED will stop flashing and turn off and the unD6IO-BT will disable its Bluetooth® interface.

***\*Note:** The default friendly name visible to other devices is **unD6IO-BT**. This name can be customized by the installer using the unIFY Control Panel software.*

If a successful pairing is made during the pairing period, the status LED will stop flashing and turn constantly on.

To disconnect a Bluetooth® device from the unD6IO-BT, press and hold the PAIR button for 5 seconds and then release it. The status LED will turn off, and the connection will be reset. Another device may now be connected by repeating the pairing process.

### Reconnect Mode

In this mode, a previously paired device will be permitted to reconnect when in range of the unD6IO-BT without requiring the front panel button to be pressed but is limited to a single device and is intended for restricted/personal use.

### Exclusive Mode

In this mode, the exclusively paired device will be permitted to reconnect when in range of the unD6IO-BT without requiring the front panel button to be pressed but is limited to a single device and is intended for restricted/personal use.

Any other pairing/connect requests beyond the first paired device is rejected.

***\*Note:** This mode applies to both A2DP and HFP profiles.*

## Audio Bridging

### Media Bridging (only)

In this mode (A2DP), users may stream audio from media applications on the paired device. The user is protected from errant streaming of phone audio over Bluetooth® link.

### Call Bridging (only)

In this mode (HFP), users may stream incoming/outgoing calls from the paired device using the system integrated inputs and outputs. The user is protected from errant streaming of media audio over Bluetooth® link.

### Call and Media Bridging

In this mode, both profiles are available giving users the ability to control access of content (call/media) to the system from the paired device.

### Dante™ TX Channel Name

This text field reports the Dante™ transmit channel name shown on the Dante™ network for corresponding analog input channels.

*\*Note: This field is non-editable. To edit the channel names, use the device list view control or us Dante™ Controller.*

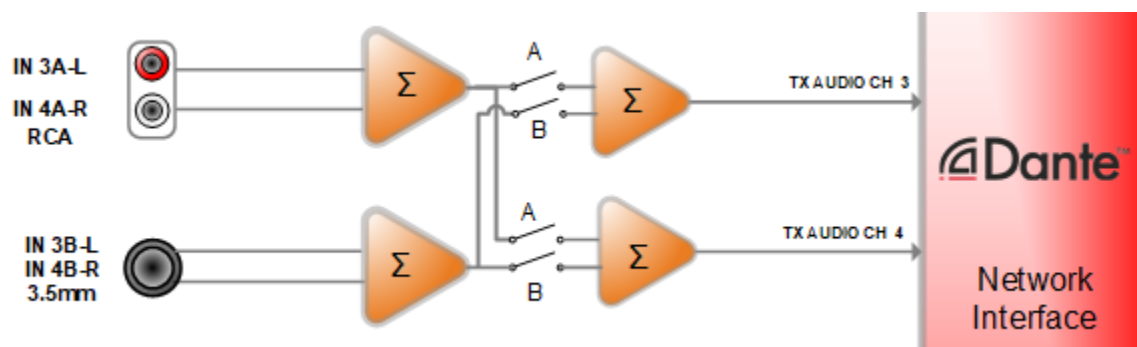
### Input Select Control

The unD6IO-BT features an input selection option for the line level analog inputs routed to Dante™ transmitter channels 3 and 4. To select the active input, click on the desired radio button in the Input Selection control.

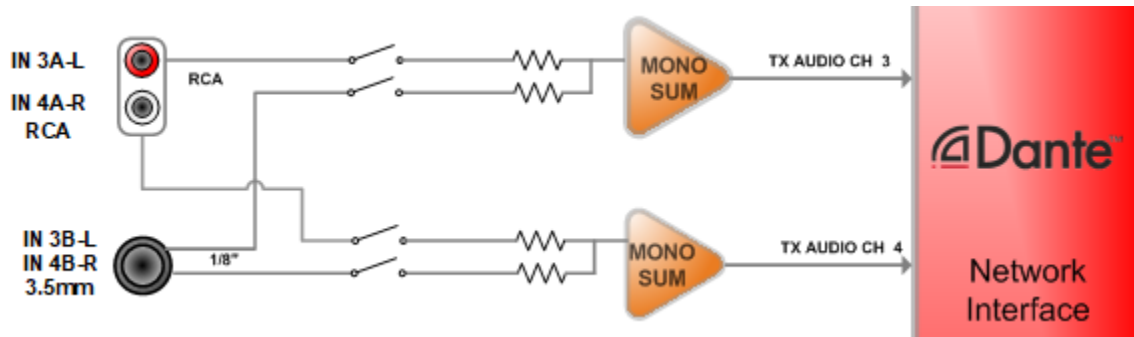
The selectable options are:

- Input A (RCA Inputs)
- Input B (3.5mm TRS input)
- A+B (Sum of both input A and B)

New units (serial# 19070301-001 or later) mono mix the unbalanced inputs and the input select allows a choice of which mono-mix comes out each Dante channel (see below).



Older units prior to serial# 19070301-001 retain the stereo imagery so the input select for channel 3 selects which "Left" audio is selected for Dante channel 3 while input select for channel 4 selects which "Right" audio is selected Dante channel 4 (see below).

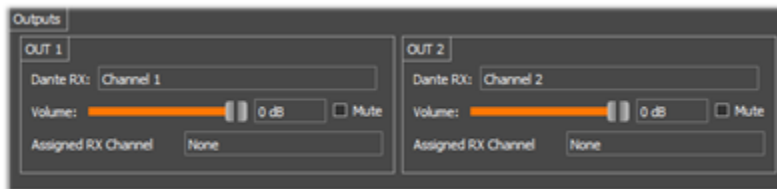


## Dante™ TX Channel Status

This text field reports the number of active Dante™ receive devices for the corresponding transmitter channel. If no devices are subscribed to the transmitter channel the text field will report *None*.

**\*Note:** This is a read-only field and any channel routing configuration must be performed within Dante™ Controller

## Outputs



## Dante™ RX Channel Name

This text field reports the Dante™ receive channel name shown on the Dante™ network for corresponding analog output channels.

**\*Note:** This field is non-editable. To edit the channel names, use the device list view control or use Dante™ Controller.

## Output Volume/Mute Control

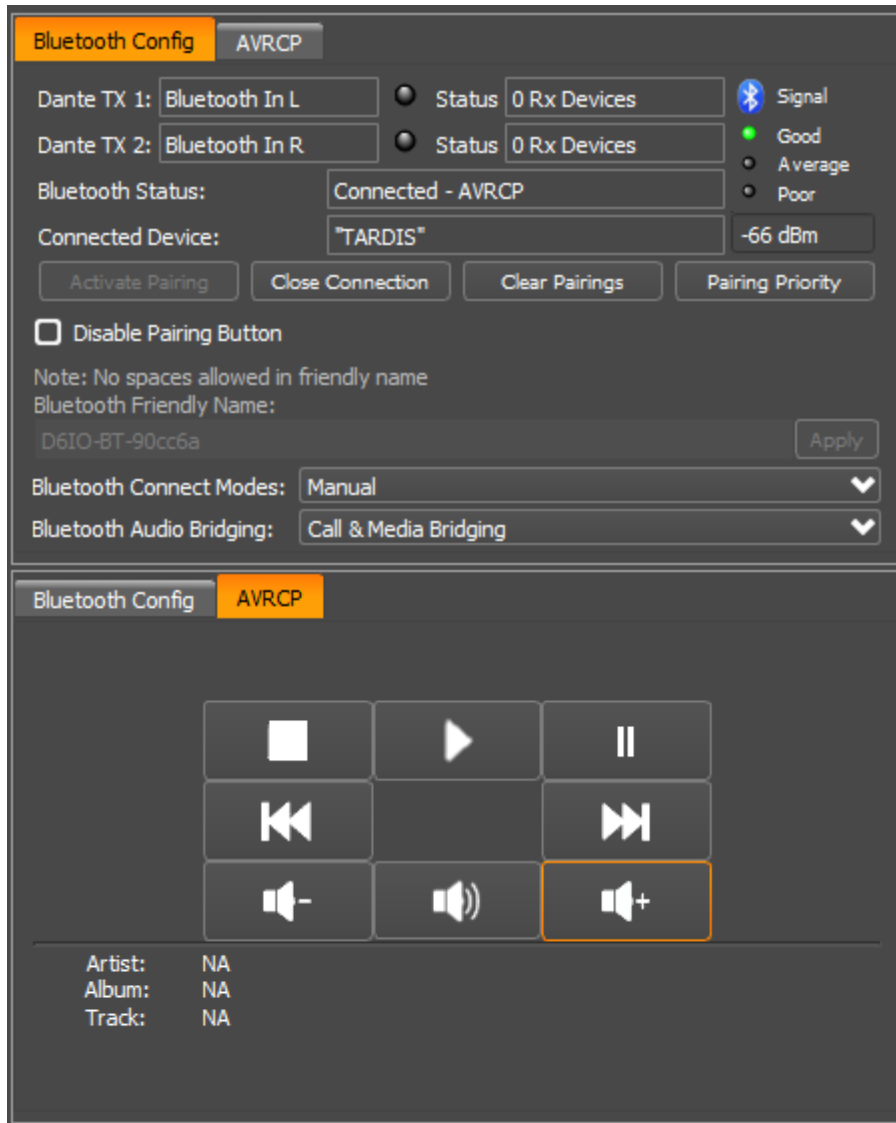
The unD6IO-BT features volume and mute controls on the outputs. To adjust the output volume, drag the slider controls or directly enter the desired volume setting in the volume text box. The valid volume range is -60dB to 0dB in 1dB steps.

To mute the outputs, click on the Mute checkbox.

## RX Channel Assignment

This text field reports the currently assigned Dante™ transmit channel to the corresponding receive channel. If no channel is assigned, the text field will report *None*.

*\*Note: This field is non-editable. To edit the channel names, use the device list view control or use Dante™ Controller.*



## AVRCP Control

Many installed AV Systems in both residential and commercial markets feature control products with customizable user interfaces. With a connected Bluetooth® audio device as a source, it is desirable to have access to the device information and source content (artist/album) for use on the control system UI. Additionally, the end user of the system may control the source from any control panel that has this is useful if the device is left somewhere to charge and is out of reach to simply change songs or stop the audio playback.

Control access will be available for the following AVRC pass through commands:

- Play
- Pause
- Stop
- Next Track
- Previous Track
- Volume Up
- Volume Down
- Mute





Attero Tech by QSC **unIFY Control Panel**  
**unD6IO-BT Configuration**

*\*Note: Some devices, such as iOS devices do not support AVRCP pass through volume control. In order to provide broad compatibility it is recommended that volume control be implemented by adjusting the unD6IO-BT Bluetooth® hardware rather than the remotely connected device.*