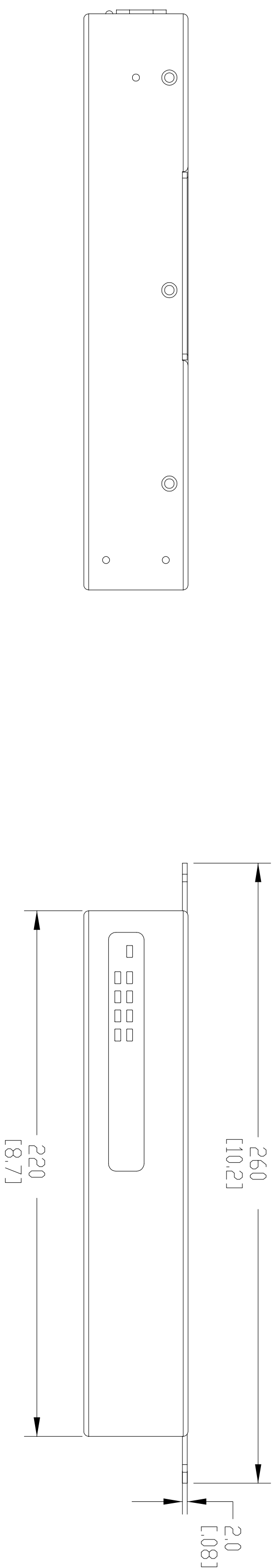
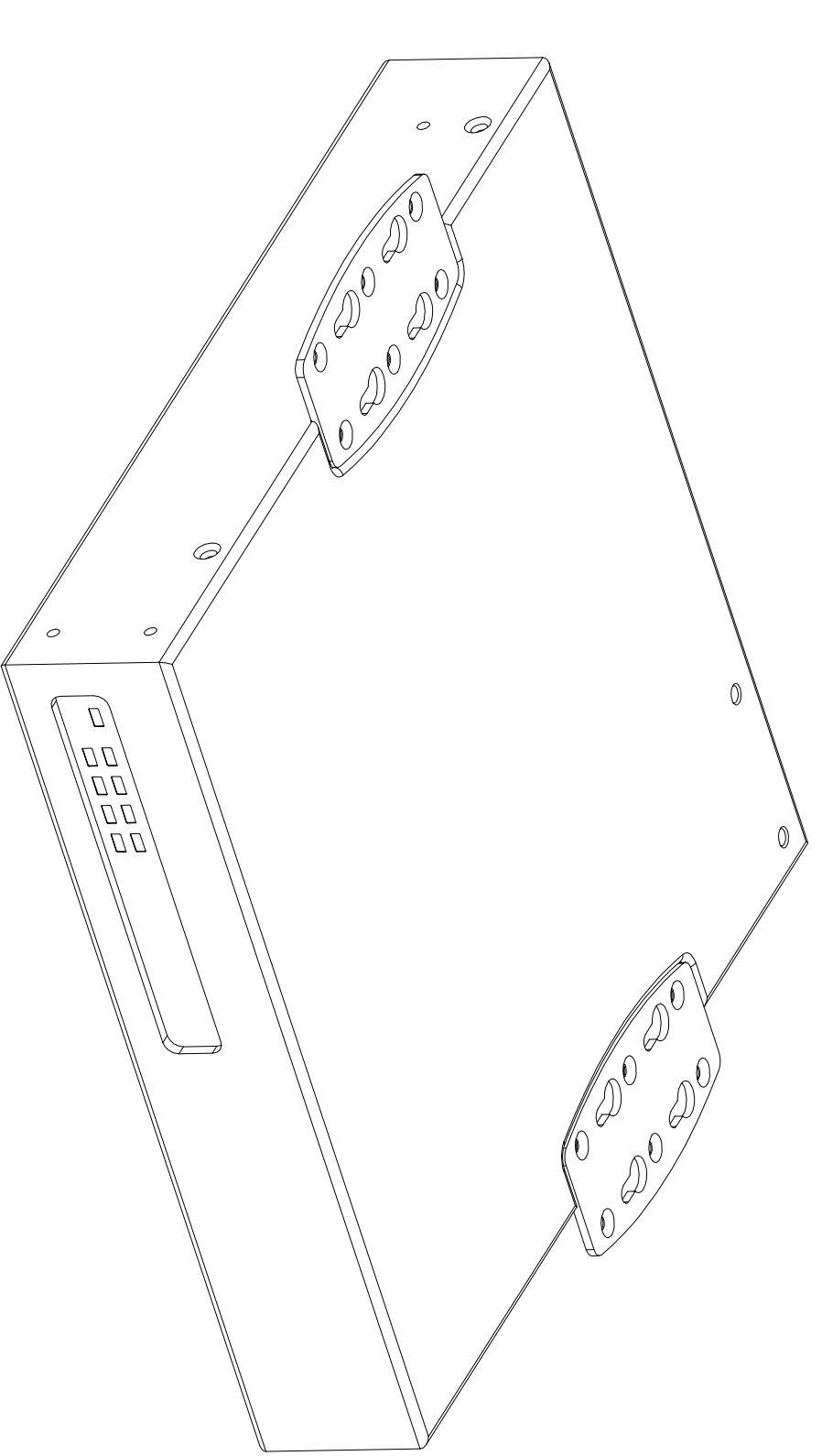
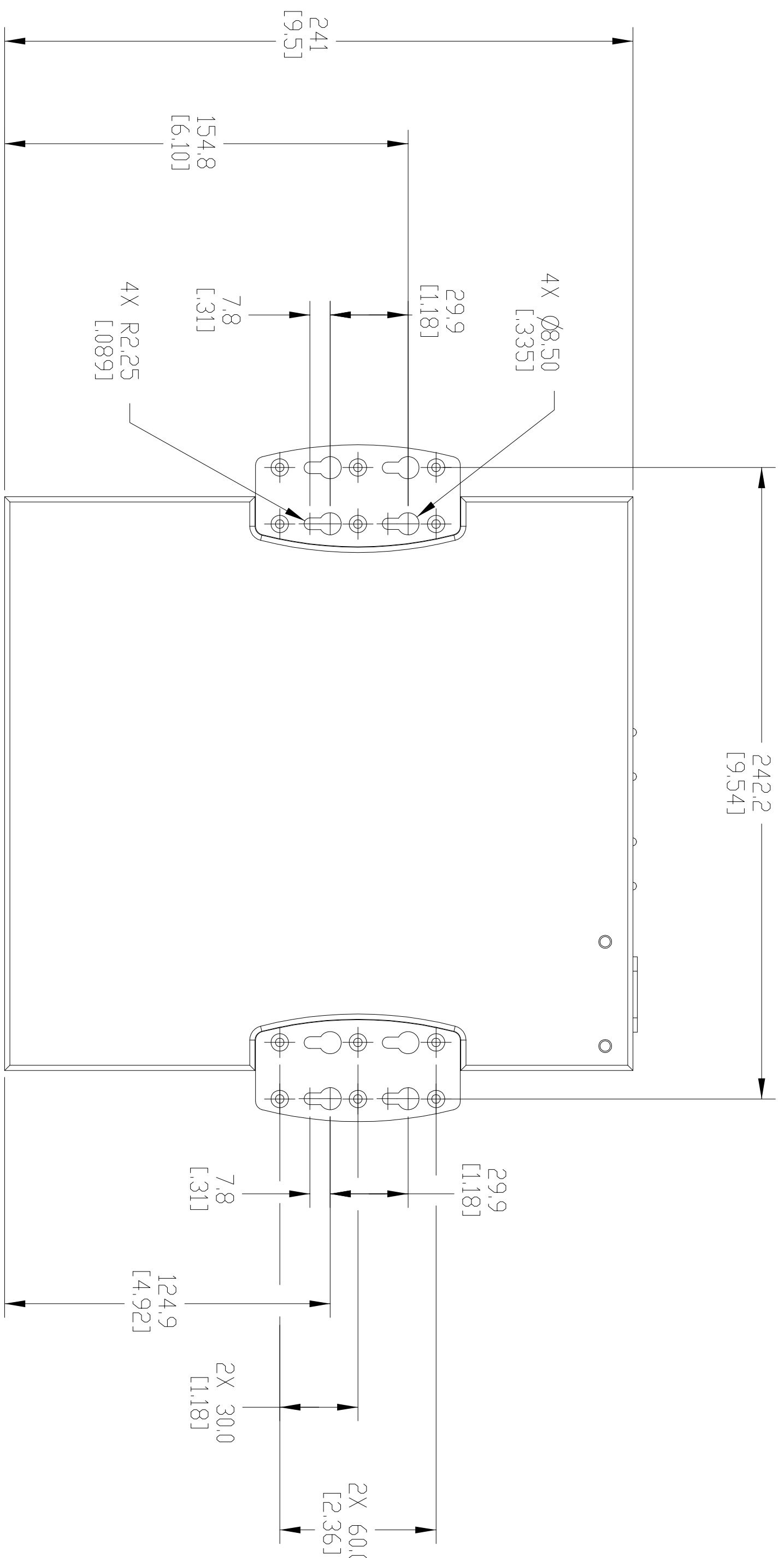
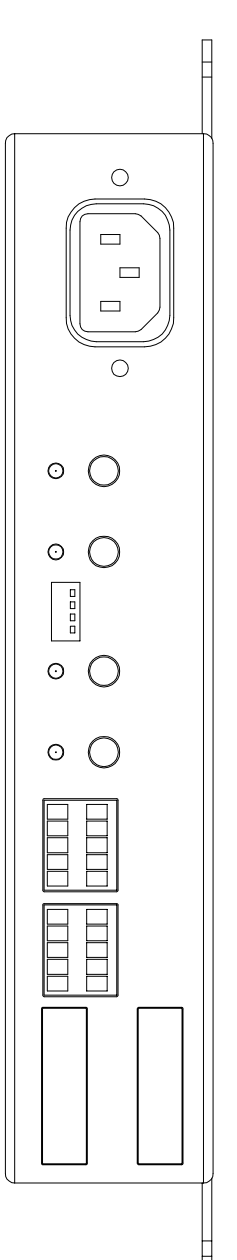
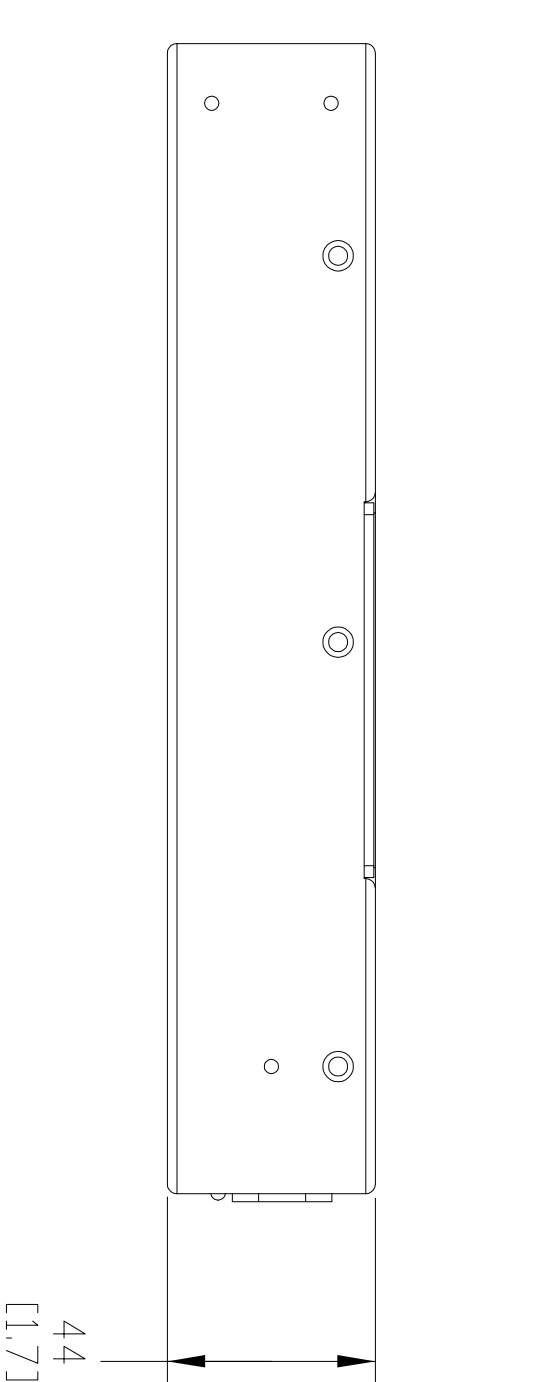


THIS DOCUMENT CONTAINS PROPRIETARY INFORMATION
 WHICH IS THE PROPERTY OF QSC AUDIO PRODUCTS.
 IT IS NOT TO BE DISCLOSED, REPRODUCED OR USED WITHOUT
 EXPRESS WRITTEN CONSENT FROM QSC AUDIO PRODUCTS.

REV	REVISIONS	BY	DATE
	DESCRIPTION		



FRONT VIEW



REAR VIEW

5. MEETS UL2043 WITH PLENUM KIT FG-000995-00.
4. MEETS ENERGYSTAR REQUIREMENTS.
3. CHASSIS DESIGNED TO MEET 1U RACK MOUNT SPECIFICATION IEC60297-3-100.
2. FEATURES SYMMETRICAL ABOUT CENTERLINE.
1. NET WEIGHT OF SPA4-100 APPROX. 14 KG (4.0 LBS). HARDWARE IS ADDITIONAL WEIGHT.

NOTES: UNLESS OTHERWISE SPECIFIED.

UNLESS OTHERWISE SPECIFIED, DIMENSIONS IN MILLIMETERS (IN)		DESIGNER	ENGINEERING SERVICES
TOLERANCES ARE:		ENGINEER	
DECIMALS	FRACTIONS	ANGLES	
X .30(2)	XX 25(0.01)	1/2	
DANGER EDGES 25 (1.00) R MAX		TECHNICAL DIRECTOR	
MATERIAL		MANUFACTURING ENGINEER	
FINISH		DRAWING INFO	
		MODEL INFO	
SIZE	CAGE CODE	DRAWING NO.	REV
D	00P W4		A
SCALE	0.600	DO NOT SCALE	DRAWING SHEET
			1 OF 1

QSC AUDIO PRODUCTS, LLC
 1675 MACARTHUR BOULEVARD
 COSTA MESA, CA 92626

SPA4-60, SURFACE MOUNT