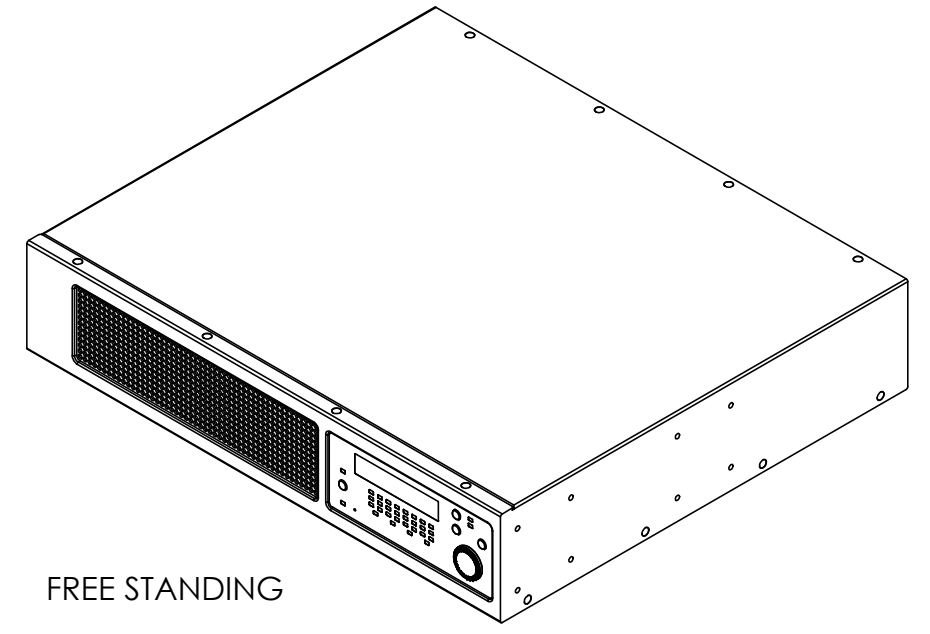
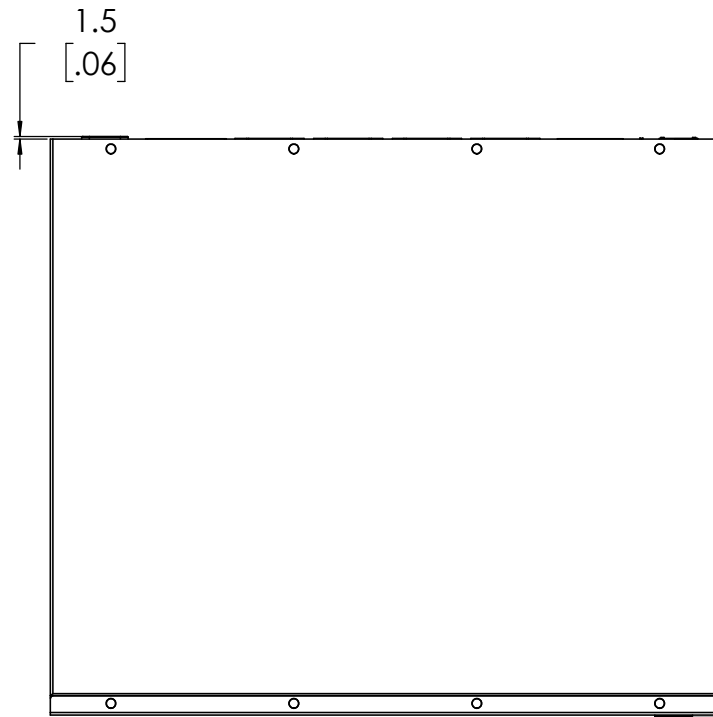
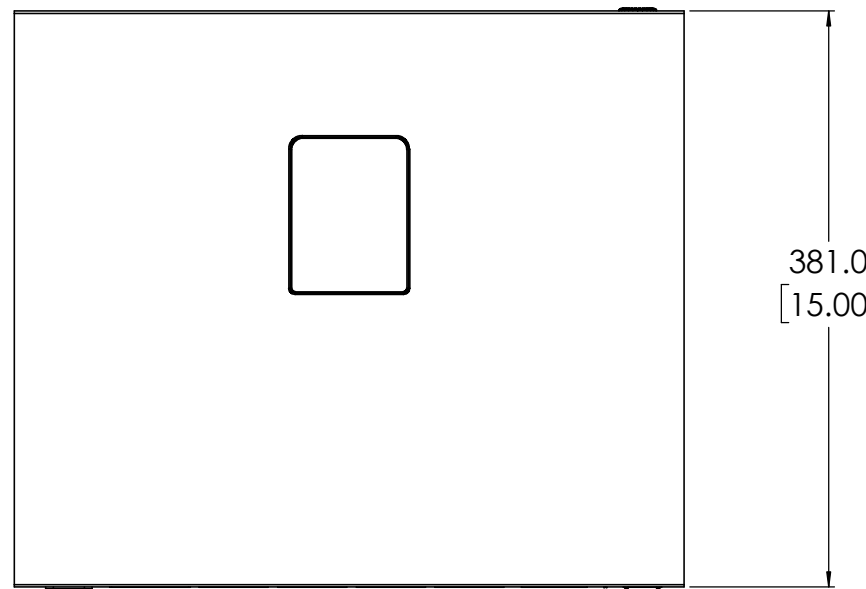
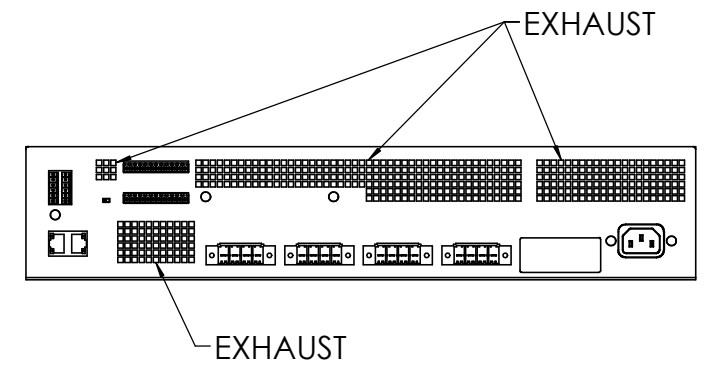
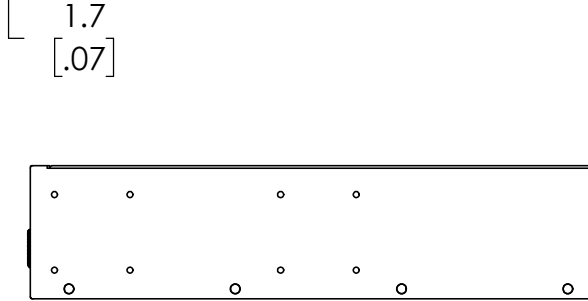
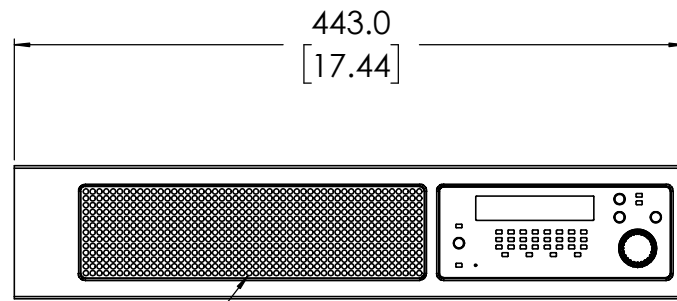
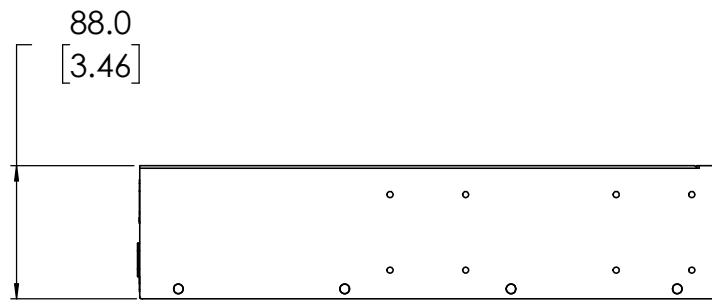


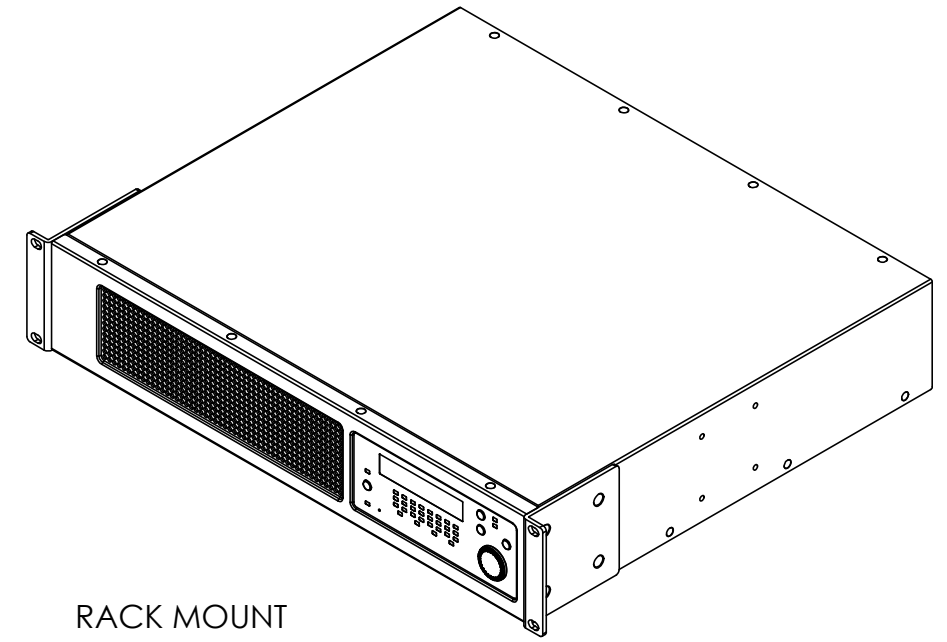
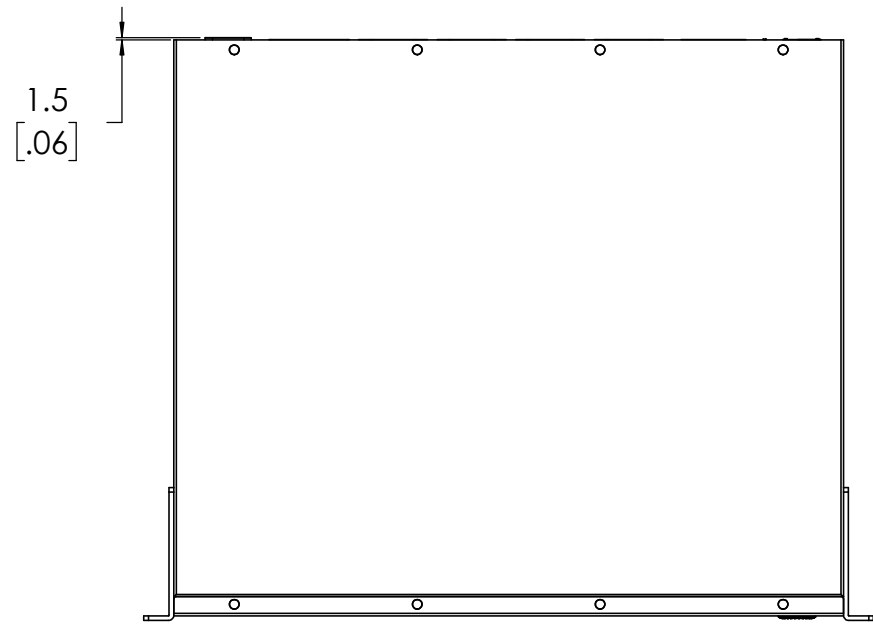
NOTES: UNLESS OTHERWISE SPECIFIED

1. NET WEIGHT IS APPROXIMATELY 10.4 KG [22.9 LBS].
2. PRODUCT IS SYMMETRIC ABOUT CENTERLINES WHERE INDICATED.

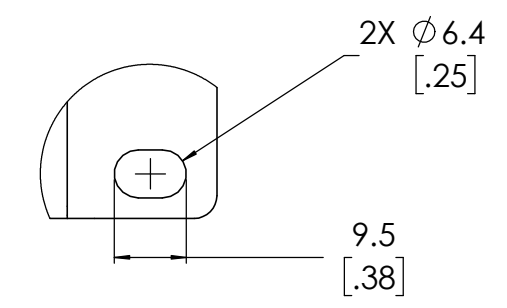
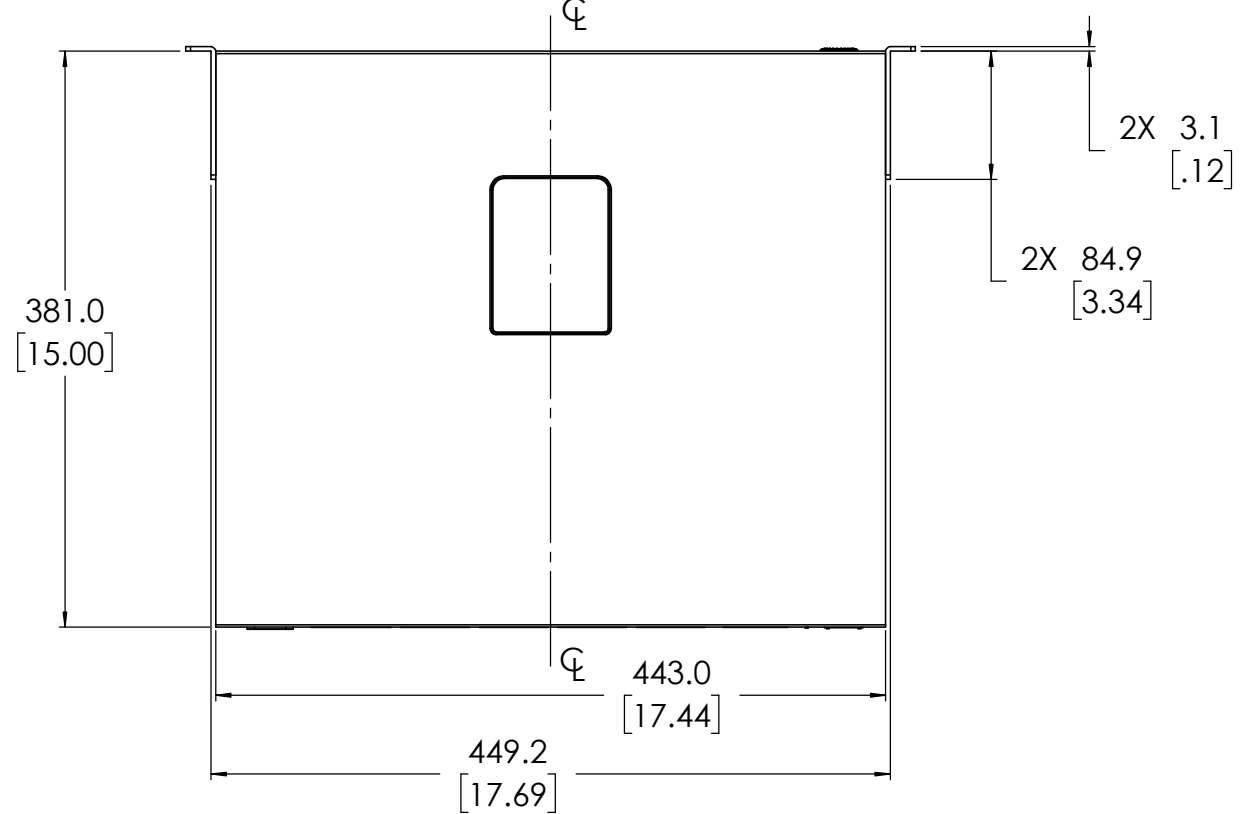
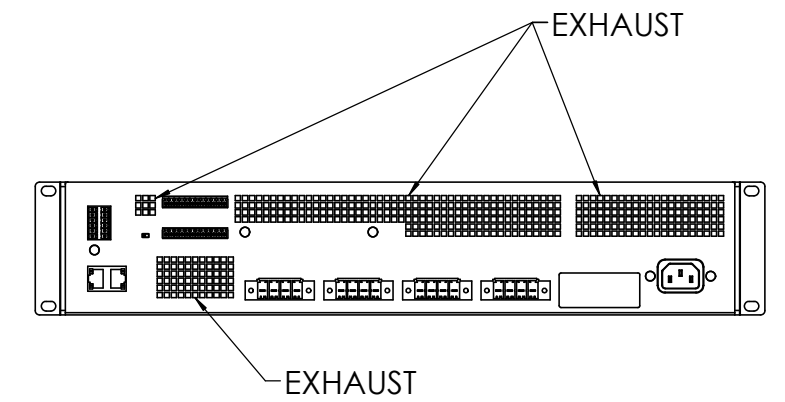
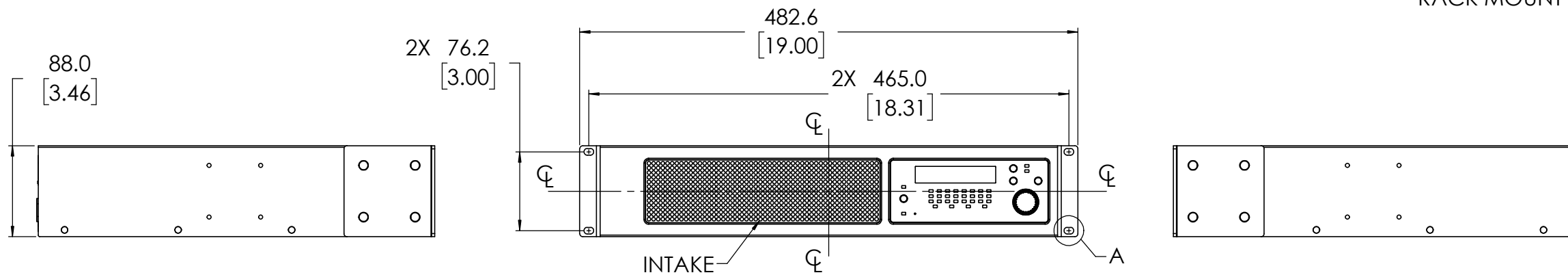


FREE STANDING

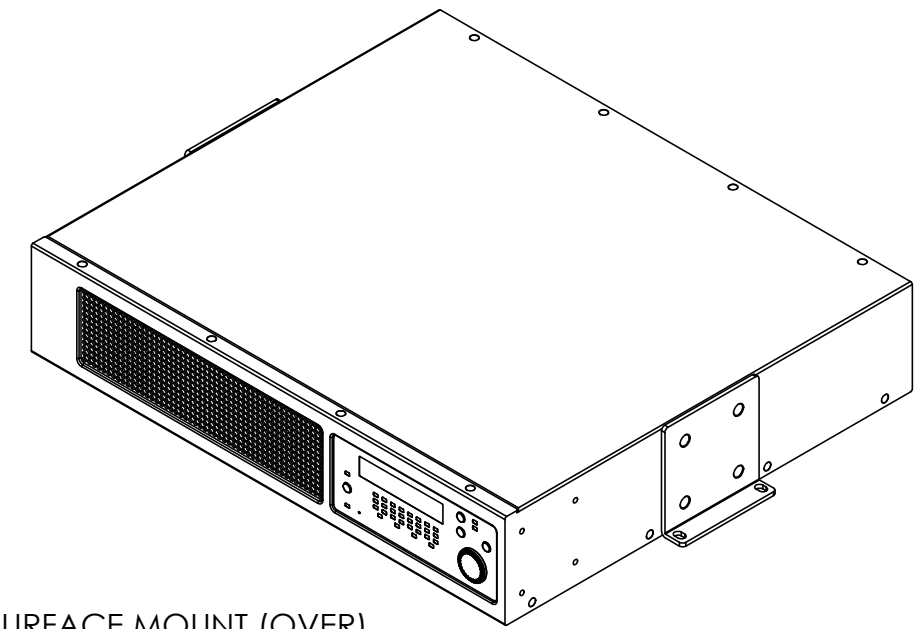
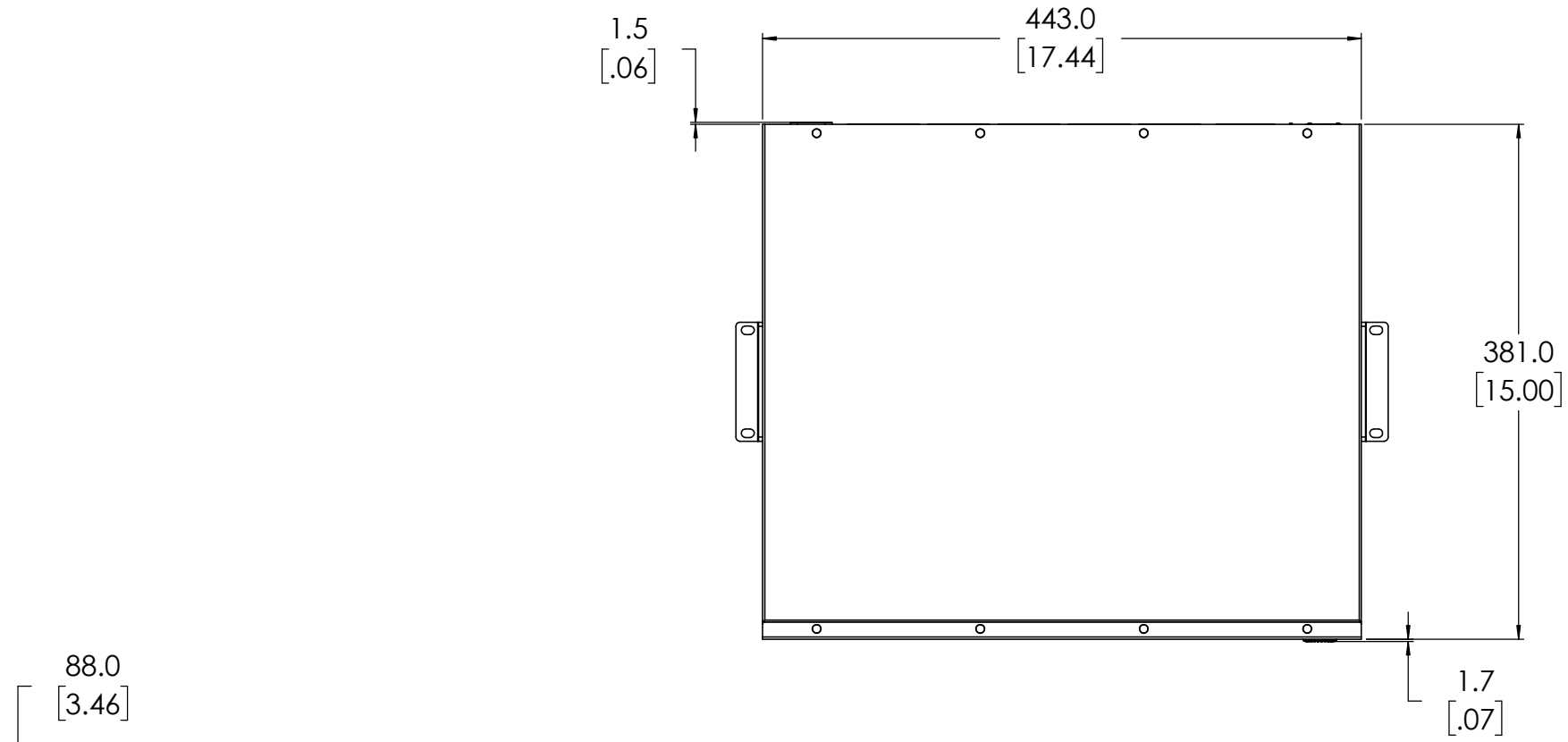




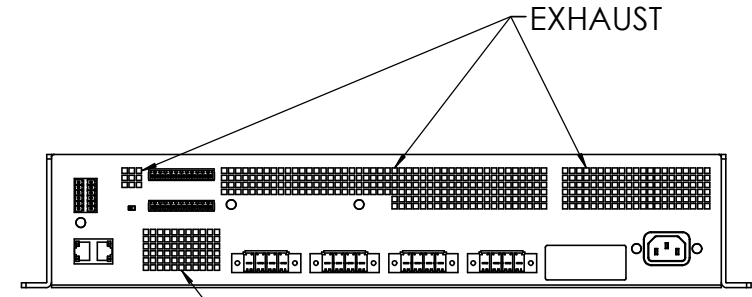
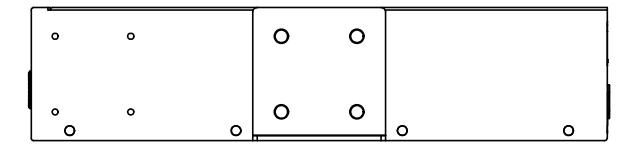
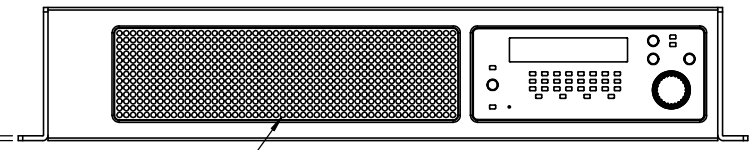
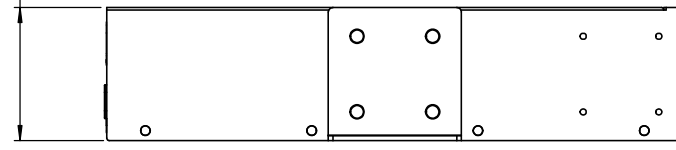
RACK MOUNT



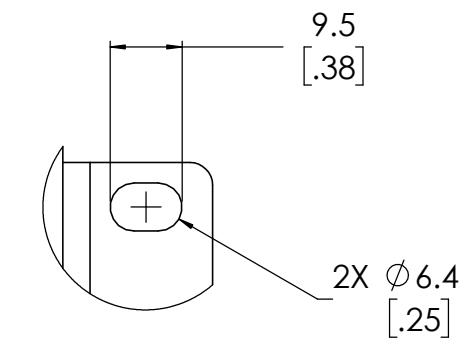
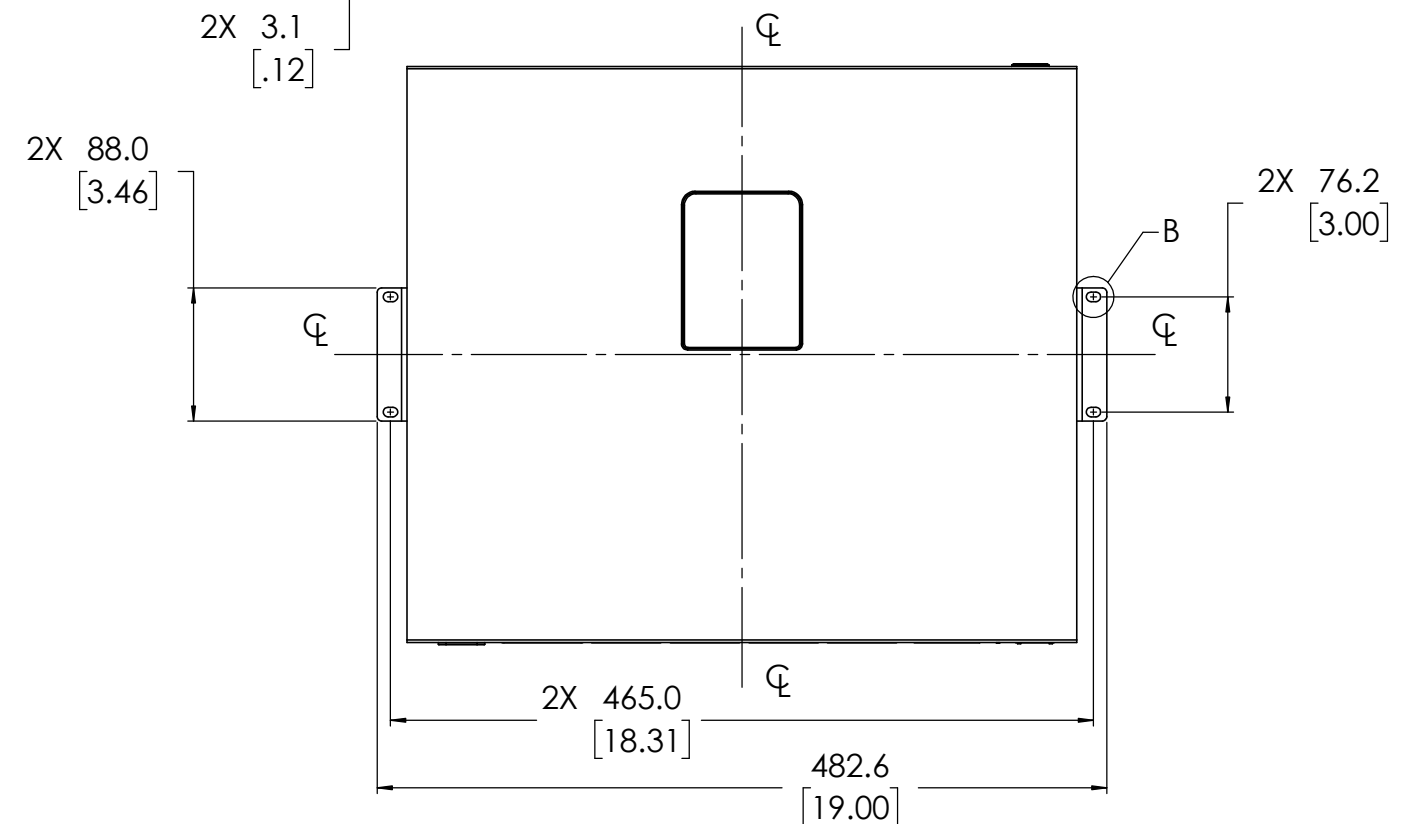
DETAIL A  
MOUNTING EYELET  
4 PLACES  
SCALE 1 : 1



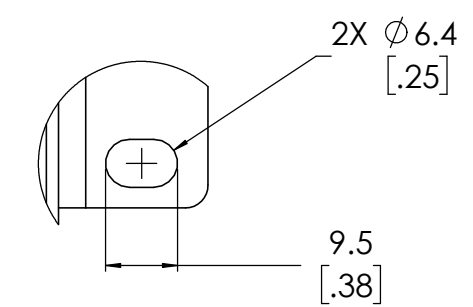
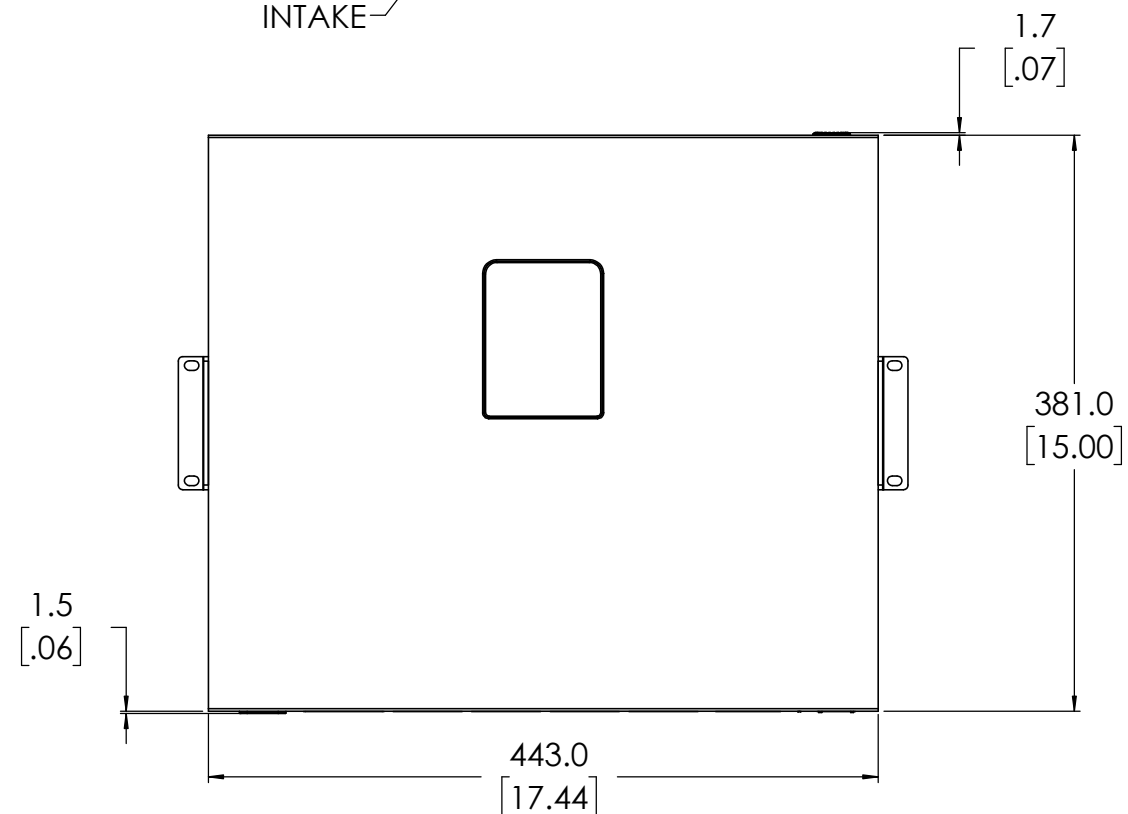
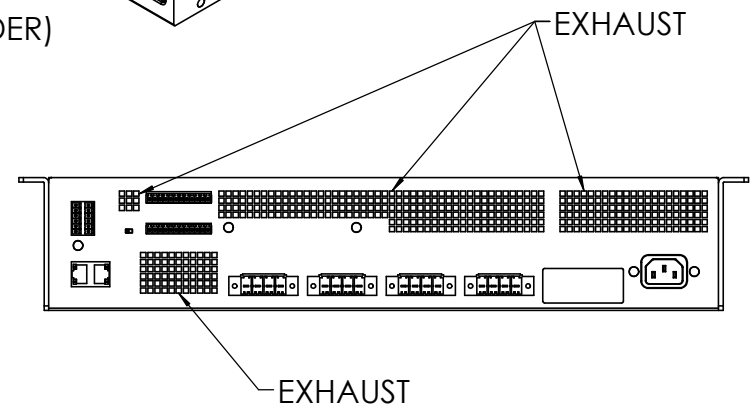
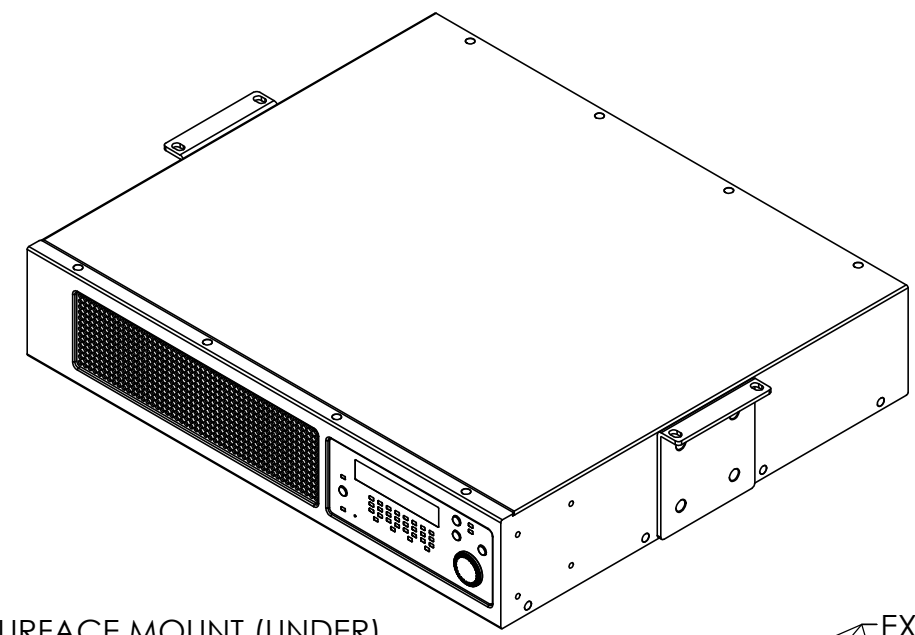
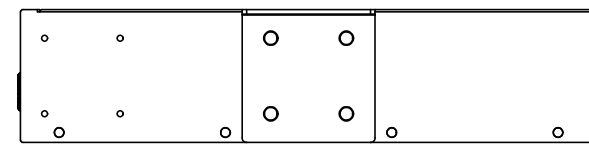
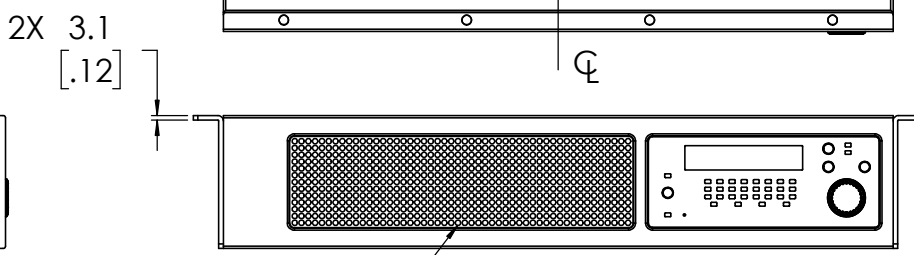
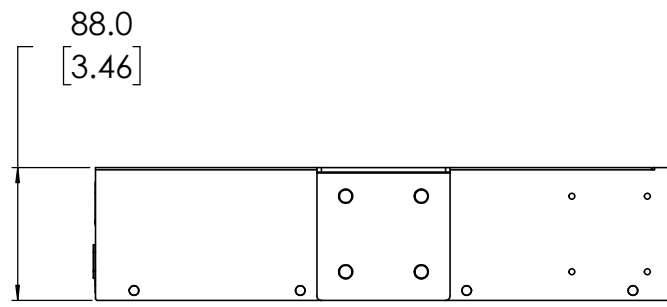
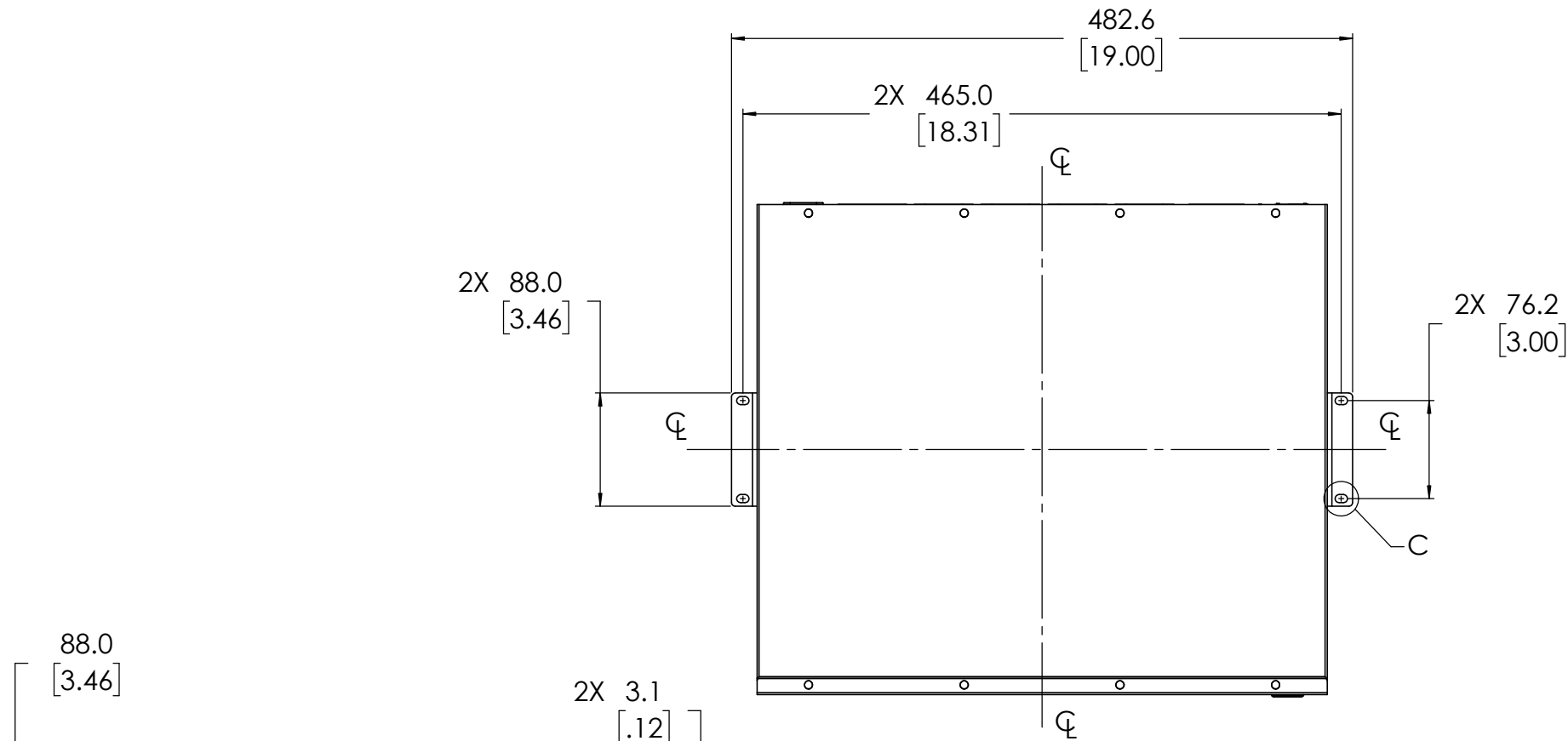
SURFACE MOUNT (OVER)



EXHAUST



DETAIL B  
MOUNTING EYELET  
4 PLACES  
SCALE 1 : 1



DETAIL C  
MOUNTING EYELET  
4 PLACES  
SCALE 1 : 1